



NSG 3040-DDV GENERATOR FOR SUPPLY DIPS, DROPS AND VARIATIONS



- Fully IEC 61000-4-11 & 29 compliant
- Large color display and touch panel interface
- Standards and user test libraries
- Wide range of accessories

The NSG 3040 - DDV is the first in a series of single-function generators derived from the successful NSG 3040 family of combination generators.

Unlike the NSG 3040 system, which features a mainframe that is prepared, wired and tested for all possible module combinations and upgrades, the NSG 3040 - DDV is designed to accommodate only the module required for dips, drops and variations. This function-specific design allows the NSG 3040 to provide full performance at the lowest possible price.

In addition to full compliance testing to IEC 61000-4-11 and -29 standards, the NSG 3040 – DDV offers the basic performance features of all NSG 3000 series instruments: A robust and user-friendly interface, industry-leading design and quality, comprehensive safety features, and compatibility with all existing NSG 3000 series accessories.

The NSG 3040 - DDV is also available in an ERC (Exclusive Remote Control) version, which is controlled exclusively by a PC running Teseq’s WIN 3000 software.



NSG 3040-DDV-ERC

When used with automatic accessories such as the VAR 3005 or INA 6502, the NSG 3040 - DDV features manual, automatic and programmable control of EUT power ON/OFF switching. EUT power can be switched off automatically in the event of an EUT failure or overload.

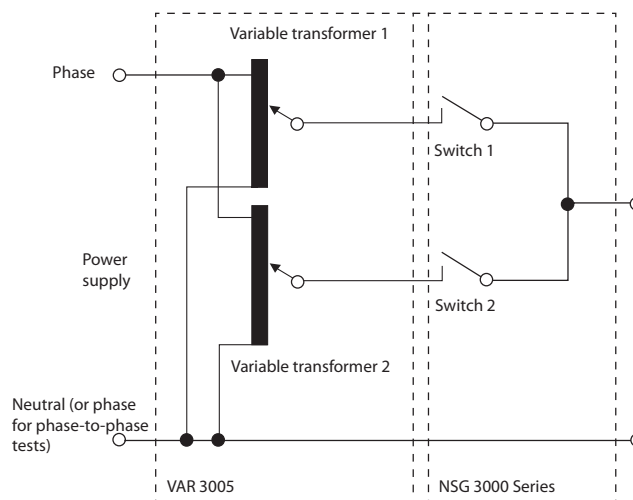


Figure 1: Dips and drops test equipment as recommended in IEC 61000-4-11

NSG 3040-DDV

GENERATOR FOR SUPPLY DIPS, DROPS AND VARIATIONS



NSG 3040-DDV with VAR 3005

Technical specifications:

Parameter	Value
Dips & drops:	From EUT voltage input 100% to 0 V, 0%
Uvar with optional variac:	0 to 265 V 0 to 115% U input 16 A continuous to 550 A short-term, $\pm 10\%$
Uvar step transformer:	0, 40, 70, 80%
Peak inrush current capability:	500 A (at 230 V)
Switching time:	1 to 5 μs (100 Ω)
Repetition time:	μs : 40 to 99'999 ms: 1 to 99'999 s: 1 to 1'999 min: 1 to 35 Cycle: 1 to 99'999
T-Event:	μs : 20 to 99'999 ms: 1 to 99'999 s: 1 to 1'999 Cycle: 1 to 99'999
Test duration:	s: 1 to 99'999 min: 1 to 70'000 Event: 1 to 99'999 Continuous
Trigger:	Internal, external
Dimensions (W x H x D):	449 (17.7") x 226 (8.9", 5 HU) x 565 mm (22.2")
Weight:	19 kg

Accessories

Type	Description
INA 6501	Manual step transformer, 16 AAC, 0/40/70/80%
INA 6502	Automatic step transformer, 16 AAC, 0/40/70/80%
VAR 3005-S16	Automatic variable transformer, 1 x 16 A
VAR 3005-D16	Automatic variable transformer, 2 x 16 A
WIN 3000-SRD:	Professional version of PC software featuring real time reporting, sequencing and dialogs
MD 200:	Differential HV probe
INA 166:	5 U brackets for rack mounting

Teseq AG

Nordstrasse 11F 4542 Luterbach Switzerland
T +41 32 681 40 40 F +41 32 681 40 48
sales@teseq.com www.teseq.com

© July 2011 Teseq®

Specifications subject to change without notice. Teseq® is an ISO-registered company. Its products are designed and manufactured under the strict quality and environmental requirements of the ISO 9001. This document has been carefully checked. However, Teseq® does not assume any liability for errors or inaccuracies.