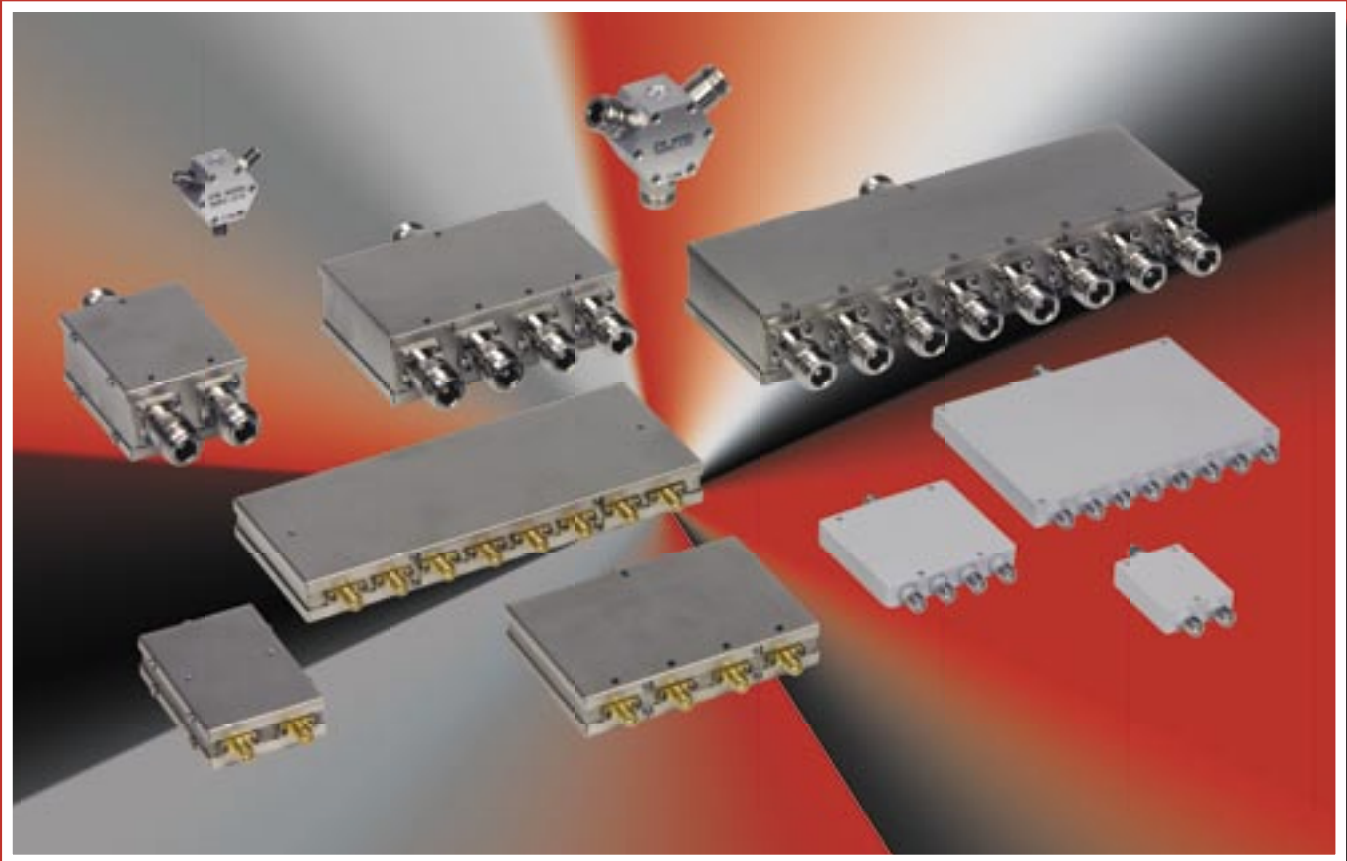


# Power Dividers/Combiners

JFW offers a wide range of RF power dividers and RF power combiners using a variety of RF technologies. Our diversified approach allows us to provide a divider, combiner and/or RF splitter solution to meet the needs of almost any OEM, system integration, laboratory or field environment. Whether you are looking for a low cost power divider that is in stock or a customized solution designed specifically with your application in mind, JFW can help.



## ***Available Features***

- Configurations available from 2-Way up to 64-Way
- Reactive (Wilkinson type), resistive and toroidal designs
- Power divider and power combiner designs covering frequencies from DC to 8 GHz
- Any RF connector combination (BNC, SMA, N, TNC, 7/16, F, reverse polarity and more)
- Power dividers available with high RF isolation (up to 40 dB)
- Low cost power dividers and power combiners (supports Cellular, PCS and UMTS bands)

**AFFORDABLE CUSTOM DESIGNS ARE ALSO AVAILABLE!**

Call 317-887-1340 • Toll Free 877-887-4539 • Fax 317-881-6790  
E-mail [sales@jfwindustries.com](mailto:sales@jfwindustries.com) • [www.jfwindustries.com](http://www.jfwindustries.com)

# Power Dividers/Combiners

## Model Number Index

Please add connector type to the end of part number to complete model number (Example: 50PD-495 SMA).

Resistive - 50 Ohm			
Model Number	Frequency Range	Configuration	Page
50PD-001	DC-1000 MHz	2-Way	7-3
50PD-004	DC-1000 MHz	2-Way	7-3
50PD-015	DC-2550 MHz	2-Way	7-3
50PD-016	DC-4000 MHz	2-Way	7-4
50PD-017	DC-2000 MHz	3-Way	7-4
50PD-018	DC-2000 MHz	4-Way	7-4
50PD-028	DC-1500 MHz	5-Way	7-4
50PD-133	DC-2000 MHz	2-Way	7-5
50PD-134	DC-2000 MHz	3-Way	7-5
50PD-135	DC-2000 MHz	4-Way	7-5
50PD-136	DC-2000 MHz	5-Way	7-5
50PD-292	DC-4000 MHz	3-Way	7-4
50PD-293	DC-4000 MHz	4-Way	7-4
50PD-335	DC-3000 MHz	2-Way	7-5
50PD-379	DC-4000 MHz	2-Way	7-5
50PD-432	DC-6000 MHz	2-Way	7-5
50PD-669	DC-4000 MHz	3-Way	7-5
Resistive - 75 Ohm			
Model Number	Frequency Range	Configuration	Page
75PD-001	DC-1000 MHz	2-Way	7-3
75PD-045	DC-2200 MHz	2-Way	7-6
75PD-046	DC-2000 MHz	3-Way	7-6
75PD-047	DC-2000 MHz	4-Way	7-6
75PD-048	DC-2000 MHz	5-Way	7-6

Reactive - 50 Ohm			
Model Number	Frequency Range	Configuration	Page
50PD-223	800-2200 MHz	2-Way	7-12
50PD-224	800-2200 MHz	3-Way	7-12
50PD-254	800-3000 MHz	2-Way	7-10
50PD-255	800-3000 MHz	4-Way	7-10
50PD-282	800-3000 MHz	8-Way	7-10
50PD-287	800-3000 MHz	2-Way	7-12
50PD-445	400-3000 MHz	2-Way	7-12
50PD-454	800-2200 MHz	4-Way	7-12
50PD-455	800-2200 MHz	6-Way	7-12
50PD-456	800-2200 MHz	8-Way	7-12
50PD-485	800-3000 MHz	8-Way	7-12
50PD-495	800-2200 MHz	2-Way	7-10
50PD-496	800-2200 MHz	4-Way	7-10
50PD-497	800-2200 MHz	8-Way	7-10
50PD-525	800-3000 MHz	3-Way	7-10
50PD-559	800-2400 MHz	2-Way	7-8
50PD-560	800-2400 MHz	4-Way	7-8
50PD-567	800-3000 MHz	4-Way	7-12
50PD-570	800-2400 MHz	8-Way	7-8
50PD-634	2-6 GHz	2-Way	7-9
50PD-638	2-6 GHz	4-Way	7-9
50PD-639	500-2500 MHz	2-Way	7-10
50PD-647	2-6 GHz	8-Way	7-9
50PD-659	700-3000 MHz	2-Way	7-7
50PD-660	700-3000 MHz	4-Way	7-7

Reactive - 75 Ohm			
Model Number	Frequency Range	Configuration	Page
75PD-072	800-2400 MHz	4-Way	7-14
75PD-074	800-2400 MHz	2-Way	7-14
75PD-075	950-2150 MHz	8-Way	7-14

Assembly - 50 Ohm			
Model Number	Frequency Range	Configuration	Page
50PDA-039	800-3000 MHz	12-Way	7-16
50PDA-040	800-3000 MHz	24-Way	7-16

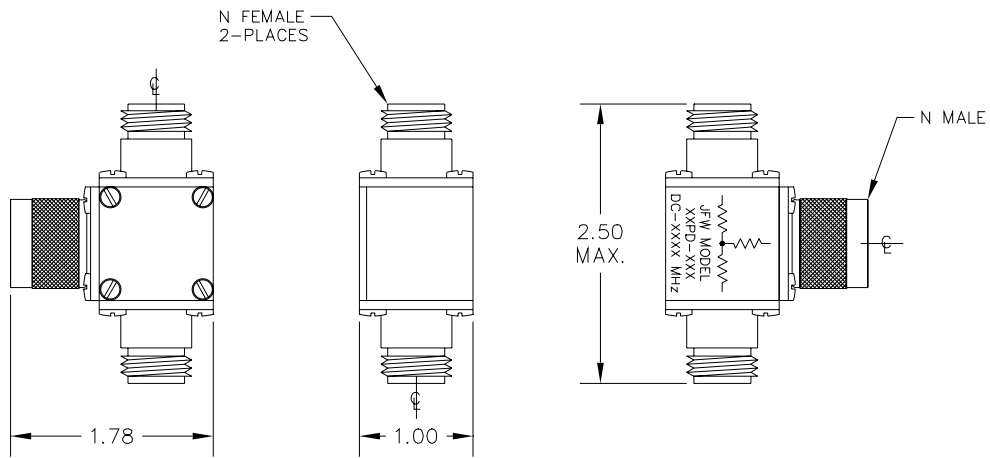
# Resistive Power Dividers/Combiners

Model	Configuration	Frequency Range	VSWR (maximum)	Impedance	Insertion Loss	Amplitude Tracking	RF Connectors
50PD-001	2-Way	DC-1000 MHz	1.1:1 DC-500 MHz 1.2:1 500-1000 MHz	50 Ohms	6 dB +/- 0.3 dB	+/- 0.1 dB DC-500 MHz +/- 0.2 dB 500-1000 MHz	N male or female
50PD-004	2-Way	DC-1000 MHz	1.2:1 DC-500 MHz 1.3:1 500-1000 MHz	50 Ohms	6 dB +/- 0.4 dB	+/- 0.2 dB DC-500 MHz +/- 0.4 dB 500-1000 MHz	BNC or TNC female
50PD-015	2-Way	DC-2550 MHz	1.1:1 DC-500 MHz 1.2:1 500-1000 MHz 1.3:1 1000-2550 MHz	50 Ohms	6 dB +/- 0.3 dB DC-1000 MHz 6 dB +/- 0.5 dB 1000-2550 MHz	+/- 0.1 dB DC-500 MHz +/- 0.2 dB 500-1000 MHz +/- 0.3 dB 1000-2550 MHz	N male or female
75PD-001	2-Way	DC-1000 MHz	1.2:1 DC-500 MHz 1.3:1 500-1000 MHz	75 Ohms	6 dB +/- 0.65 dB	+/- 0.2 dB DC-500 MHz +/- 0.4 dB 500-1000 MHz	BNC, F or TNC female

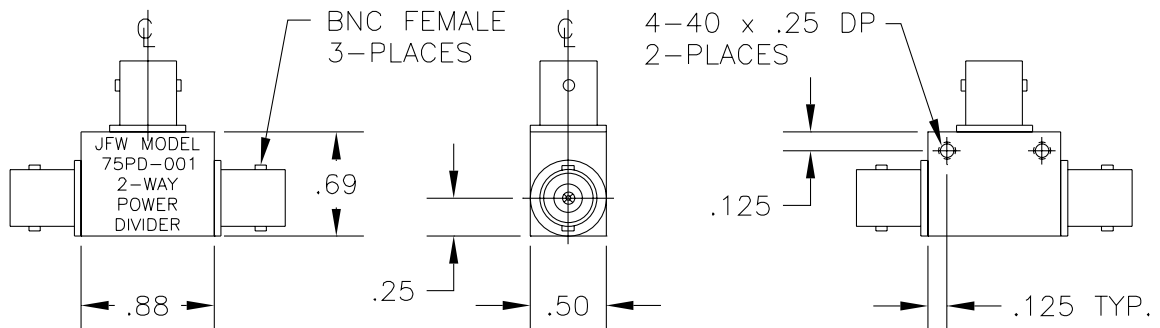
## Common Specifications

Input Power	Peak Power	Operating Temperature
1 Watt average @ +25° C	1000 Watts (1 microsecond)	-40° C to +85° C

**50PD-001 / 50PD-015**



**50PD-004 / 75PD-001**



This represents only 10% of our products. For YOUR application, contact JFW at 1-877-887-4JFW or sales@jfwindustries.com

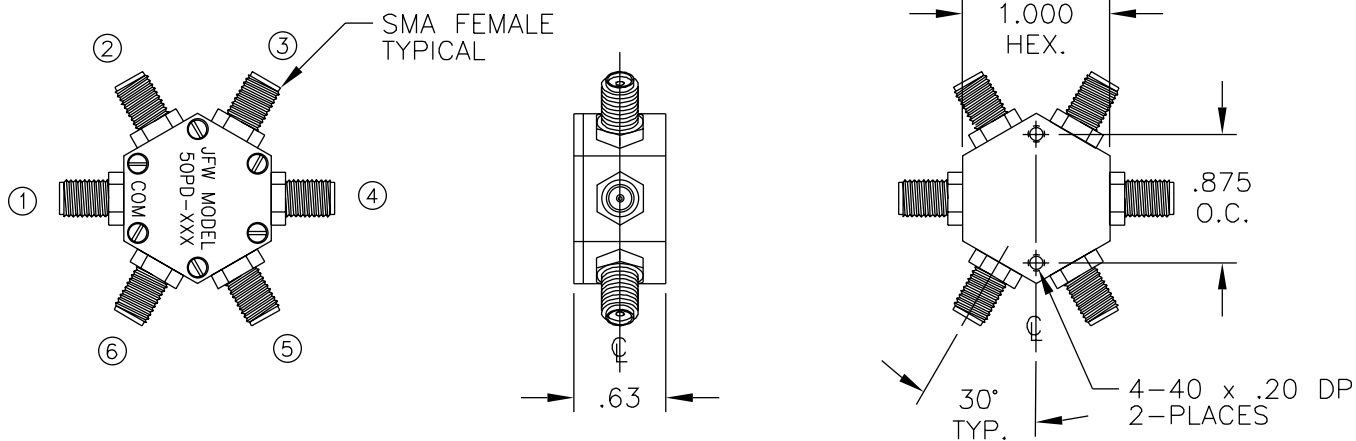
# Resistive Power Dividers/Combiners

## SMA - 50 Ohm

Model	Configuration	Frequency Range	VSWR (maximum)	Insertion Loss	Amplitude Tracking
50PD-016	2-Way	DC-4000 MHz	1.1:1 DC-1000 MHz 1.2:1 1000-2000 MHz 1.3:1 2000-4000 MHz	6 dB +/- 0.3 dB DC-2000 MHz 6 dB +/- 0.5 dB 2000-4000 MHz	+/- 0.1 dB DC-1000 MHz +/- 0.2 dB 1000-2000 MHz +/- 0.3 dB 2000-4000 MHz
50PD-017	3-Way	DC-2000 MHz	1.1:1 DC-500 MHz 1.2:1 500-2000 MHz	9.5 dB +/- 0.5 dB	+/- 0.1 dB DC-500 MHz +/- 0.2 dB 500-1000 MHz +/- 0.3 dB 1000-2000 MHz
50PD-018	4-Way	DC-2000 MHz	1.2:1	12 dB +/- 0.3 dB DC-1000 MHz 12 dB +/- 0.5 dB 1000-2000 MHz	+/- 0.2 dB DC-1000 MHz +/- 0.3 dB 1000-2000 MHz
50PD-028	5-Way	DC-1500 MHz	1.2:1	14 dB +/- 0.3 dB DC-1000 MHz 14 dB +/- 0.5 dB 1000-1500 MHz	+/- 0.2 dB DC-1000 MHz +/- 0.3 dB 1000-1500 MHz
50PD-292	3-Way	DC-4000 MHz	1.5:1	9.5 dB +/- 0.5 dB	+/- 0.5 dB
50PD-293	4-Way	DC-4000 MHz	1.5:1	12 dB +/- 0.75 dB	+/- 0.7 dB

## Common Specifications

Impedance	Input Power	Peak Power	Operating Temperature	RF Connectors
50 Ohms	2 Watts average @ +25° C	100 Watts (1 microsecond)	-40° C to +85° C	SMA female



CONFIG.	COMMON PORT	IN/OUT PORTS
2 WAY	1	3,5
3 WAY	1	3,4,5
4 WAY	1	2,3,5,6
5 WAY	1	2,3,4,5,6

**BUY ONLINE AT**  
[www.jfwindustries.com](http://www.jfwindustries.com)

This represents only 10% of our products. For YOUR application, contact JFW at 1-877-887-4JFW or sales@jfwindustries.com

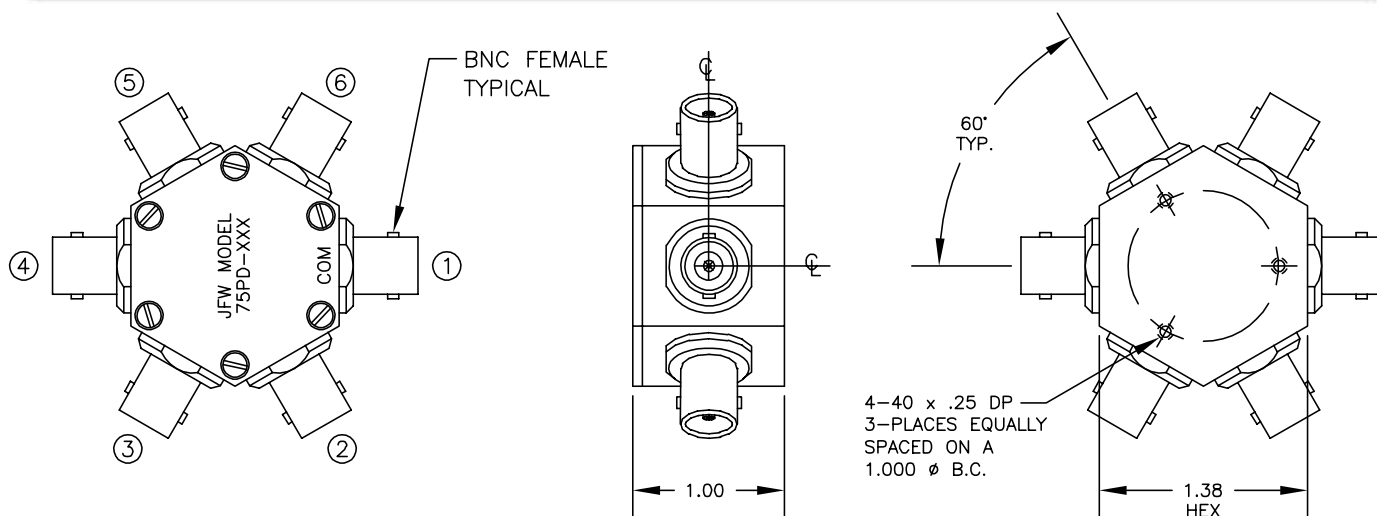
# Resistive Power Dividers/Combiners

## BNC & N - 50 Ohm

Model	Configuration	Frequency Range	VSWR (maximum)	Insertion Loss	Input Power (average @ +25° C)	Amplitude Tracking	RF Connectors
50PD-133	2-Way	DC-2000 MHz	1.2:1 DC-500 MHz 1.3:1 500-1000 MHz 1.4:1 1000-2000 MHz	6 dB +/- 0.5 dB	2 Watts	+/- 0.3 dB	BNC or N female
50PD-134	3-Way	DC-2000 MHz	1.2:1 DC-500 MHz 1.3:1 500-1000 MHz 1.4:1 1000-2000 MHz	9.5 dB +/- 0.5 dB	2 Watts	+/- 0.4 dB	BNC or N female
50PD-135	4-Way	DC-2000 MHz	1.2:1 DC-500 MHz 1.3:1 500-1000 MHz 1.4:1 1000-2000 MHz	12 dB +/- 0.5 dB	2 Watts	+/- 0.4 dB	BNC or N female
50PD-136	5-Way	DC-2000 MHz	1.2:1 DC-500 MHz 1.3:1 500-1000 MHz 1.4:1 1000-2000 MHz	14 dB +/- 0.5 dB	2 Watts	+/- 0.4 dB	BNC or N female
50PD-335	2-Way	DC-3000 MHz	1.2:1 DC-500 MHz 1.3:1 500-1000 MHz 1.4:1 1000-3000 MHz	6 dB +/- 0.5 dB DC-2 GHz 6 dB +/- 0.75 dB 2-3 GHz	2 Watts	+/- 0.4 dB	BNC, TNC or N female
50PD-379	2-Way	DC-4000 MHz	1.35:1	6 dB +/- 0.6 dB	2 Watts	+/- 0.5 dB	N female
50PD-432	2-Way	DC-6000 MHz	1.5:1	6 dB +/- 0.5 dB DC-3 GHz 6 dB +/- 1.0 dB 3-6 GHz	1 Watt	+/- 0.4 dB	N female
50PD-669	3-Way	DC-4000 MHz	1.4:1 DC-2 GHz 1.5:1 2-4 GHz	9.5 dB +/- 0.5 dB DC-2 GHz 9.5 dB +/- 0.6 dB 2-4 GHz	2 Watts	+/- 0.6 dB	N female

### Common Specifications

Impedance	Peak Power	Operating Temperature
50 Ohms	100 Watts (1 microsecond)	-40° C to +85° C



CONFIG.	COMMON PORT	IN/OUT PORTS
2 WAY	1	3,5
3 WAY	1	3,4,5
4 WAY	1	2,3,5,6
5 WAY	1	2,3,4,5,6

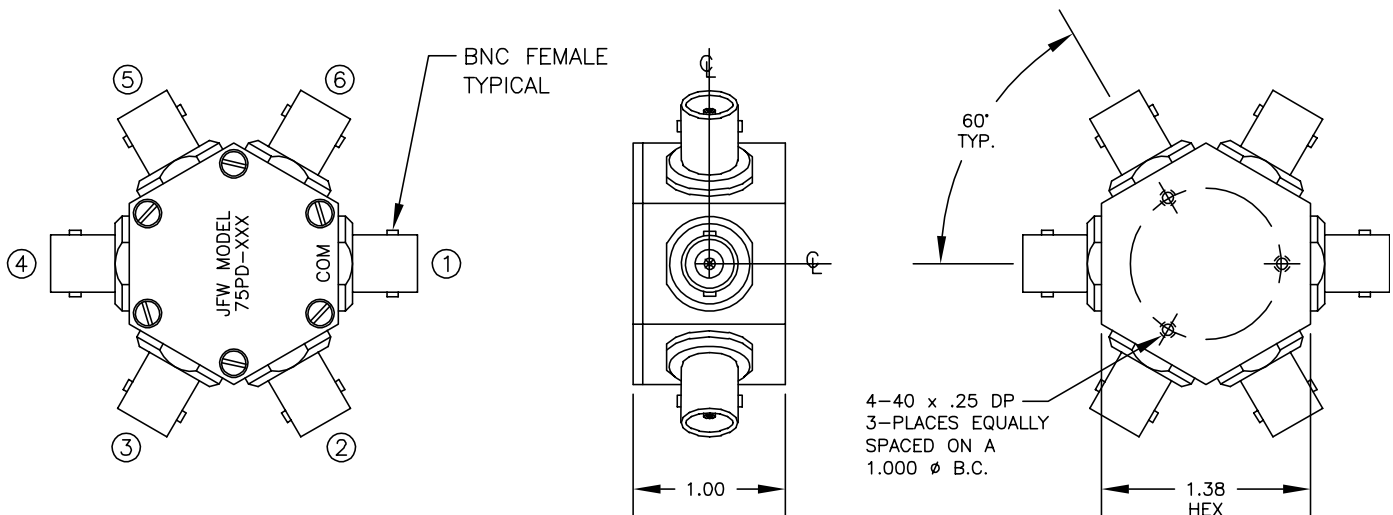
This represents only 10% of our products. For YOUR application, contact JFW at 1-877-887-4JFW or sales@jfwindustries.com

# Resistive Power Dividers/Combiners

## BNC, N, & F - 75 Ohm

Model	Configuration	Frequency Range	VSWR (maximum)	Insertion Loss	Input Power (average @ 25° C)	Amplitude Tracking	RF Connectors
75PD-045	2-Way	DC-2200 MHz	1.2:1 DC-500 MHz 1.3:1 500-1000 MHz 1.4:1 1000-2200 MHz	6 dB +/- 0.5 dB	2 Watts	+/- 0.3 dB	BNC, F or N female
75PD-046	3-Way	DC-2000 MHz	1.2:1 DC-500 MHz 1.3:1 500-1000 MHz 1.4:1 1000-2000 MHz	9.5 dB +/- 0.5 dB	2 Watts	+/- 0.4 dB	BNC, F or N female
75PD-047	4-Way	DC-2000 MHz	1.2:1 DC-500 MHz 1.3:1 500-1000 MHz 1.4:1 1000-2000 MHz	12 dB +/- 0.75 dB	2 Watts	+/- 0.5 dB	BNC, F or N female
75PD-048	5-Way	DC-2000 MHz	1.2:1 DC-500 MHz 1.3:1 500-1000 MHz 1.4:1 1000-2000 MHz	14 dB +/- 0.75 dB	2 Watts	+/- 0.5 dB	BNC, F or N female

Common Specifications		
Impedance	Peak Power	Operating Temperature
75 Ohms	100 Watts (1 microsecond)	-40° C to +85° C



CONFIG.	COMMON PORT	IN/OUT PORTS
2 WAY	1	3,5
3 WAY	1	3,4,5
4 WAY	1	2,3,5,6
5 WAY	1	2,3,4,5,6

This represents only 10% of our products. For YOUR application, contact JFW at 1-877-887-4JFW or sales@jfwindustries.com

# Reactive Power Dividers/Combiners

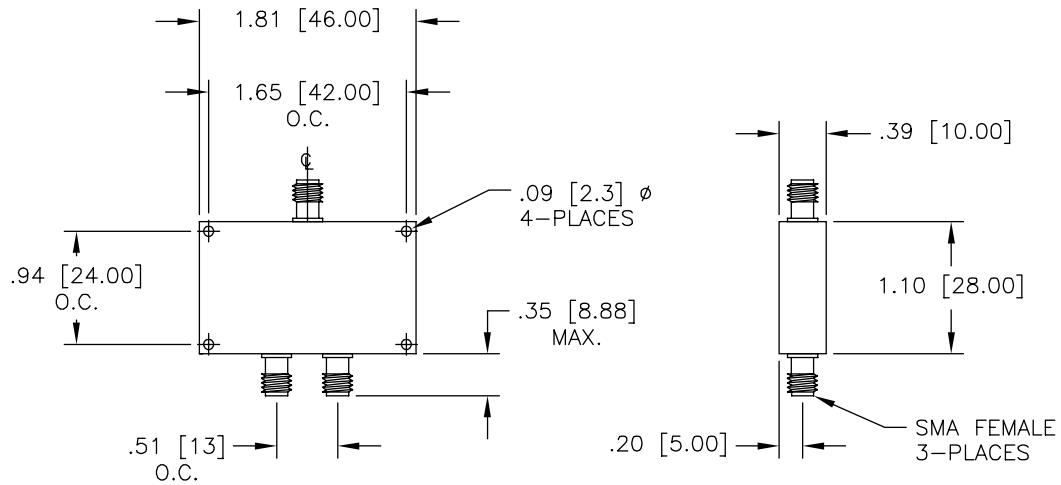
**LOW  
COST!**

Model	Configuration	Frequency Range	VSWR (maximum)	Insertion Loss	Amplitude Tracking	Phase Tracking	Isolation (minimum)
50PD-659	2-Way	700-3000 MHz	1.4:1	0.6 dB (above 3 dB split)	+/- 0.5 dB	+/- 5°	18 dB
50PD-660	4-Way	700-3000 MHz	1.5:1	1.2 dB (above 6 dB split)	+/- 0.7 dB	+/- 8°	18 dB

## Common Specifications

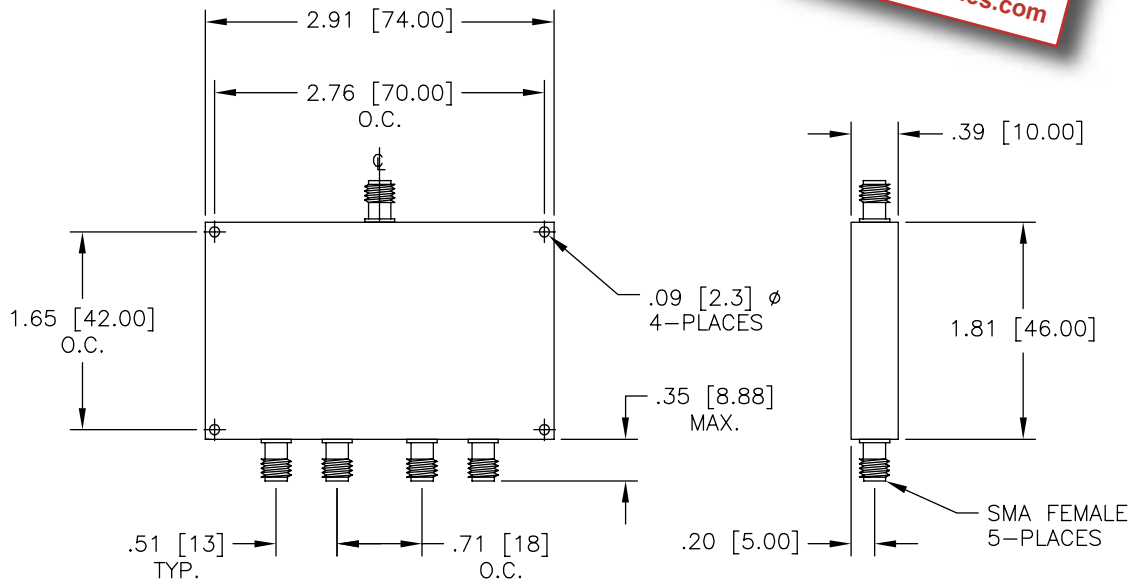
Impedance	Input Power	Operating Temperature	RF Connectors
50 Ohms	5 Watts (divider)	-40° C to +85° C	SMA female

**50PD-659**



NOTE: DIMENSIONS ARE IN INCHES [MILLIMETERS]

**50PD-660**



NOTE: DIMENSIONS ARE IN INCHES [MILLIMETERS]

**BUY ONLINE AT**  
[www.jfwindustries.com](http://www.jfwindustries.com)

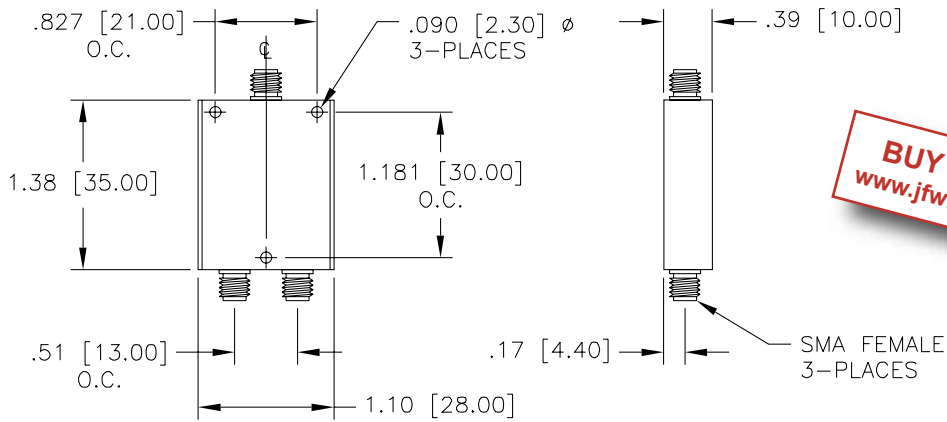
This represents only 10% of our products. For YOUR application, contact JFW at 1-877-887-4JFW or sales@jfwindustries.com

# Reactive Power Divider/Combiner

Model	Configuration	Frequency Range	VSWR (maximum)	Insertion Loss (maximum)	Amplitude Tracking	Phase Tracking	Isolation (minimum)
50PD-559	2-Way	800-2400 MHz	1.4:1	0.5 dB (above 3 dB split)	+/- 0.3 dB	+/- 5°	20 dB
50PD-560	4-Way	800-2400 MHz	1.4:1	0.8 dB (above 6 dB split)	+/- 0.4 dB	+/- 6°	20 dB
50PD-570	8-Way	800-2400 MHz	1.5:1	1.2 dB (above 9 dB split)	+/- 0.6 dB	+/- 9°	20 dB

Common Specifications			
Impedance	Input Power	Operating Temperature	RF Connectors
50 Ohms	5 Watts average (divider) 100 Watts peak (1 microsecond)	-40° C to +85° C	SMA female

**50PD-559**

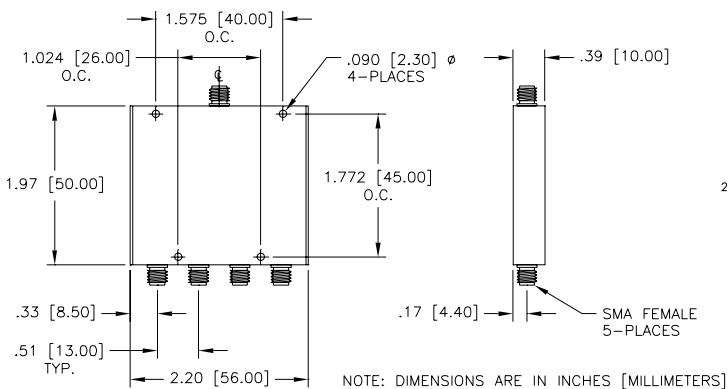


**BUY ONLINE AT**  
[www.jfwindustries.com](http://www.jfwindustries.com)

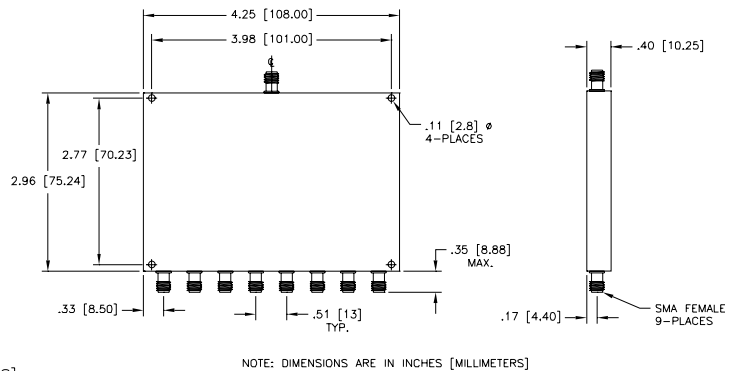
NOTE: DIMENSIONS ARE IN INCHES [MILLIMETERS]

**50PD-560**

**50PD-570**



NOTE: DIMENSIONS ARE IN INCHES [MILLIMETERS]



NOTE: DIMENSIONS ARE IN INCHES [MILLIMETERS]

This represents only 10% of our products. For YOUR application, contact JFW at 1-877-887-4JFW or sales@jfwindustries.com

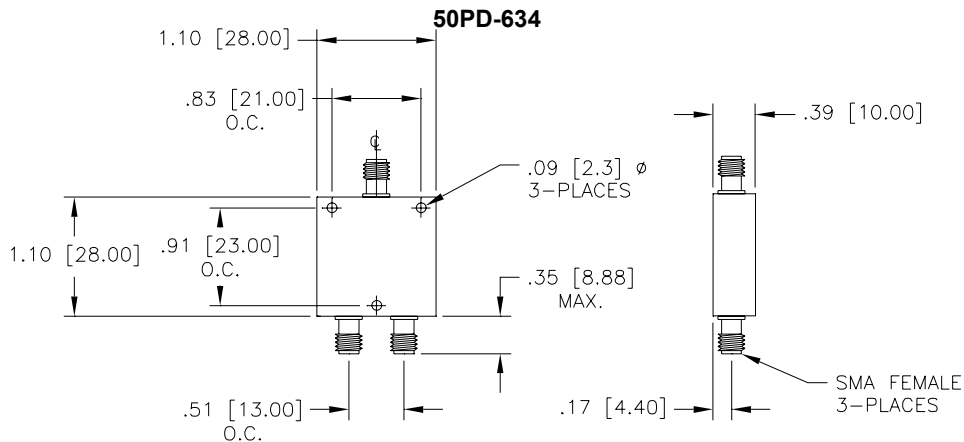


# WLAN Reactive Power Dividers/Combiners

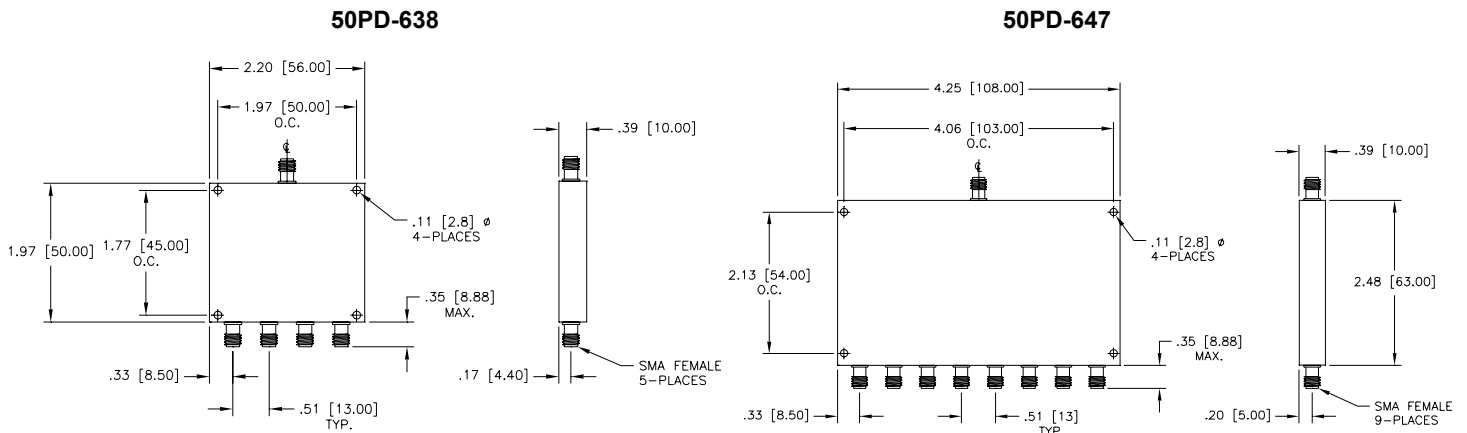
**LOW COST!**

Model	Configuration	Frequency Range	VSWR	Insertion Loss	Isolation (minimum)	Amplitude Tracking	Phase Tracking
50PD-634	2-Way	2-6 GHz	1.35:1 maximum 1.2:1 typical	0.6 dB maximum 0.15 dB typical @ 2 GHz 0.30 dB typical @ 6 GHz (above 3 dB split)	20 dB	+/- 0.35 dB	+/- 5°
50PD-638	4-Way	2-6 GHz	1.45:1 maximum 1.3:1 typical	1.4 dB maximum 0.4 dB typical @ 2 GHz 0.7 dB typical @ 6 GHz (above 6 dB split)	18 dB	+/- 0.6 dB	+/- 6°
50PD-647	8-Way	2-6 GHz	1.6:1 maximum 1.4:1 typical	1.9 dB maximum 0.5 dB typical @ 2 GHz 1.1 dB typical @ 6 GHz (above 9 dB split)	18 dB	+/- 0.8 dB	+/- 9°

Model	Impedance	Input Power	Operating Temperature	RF Connectors
50PD-634	50 Ohms	5 Watts average (divider) 2 Watts average (combiner)	-40° C to +85° C	SMA female
50PD-638	50 Ohms	5 Watts average (divider) 1 Watts average (combiner)	-40° C to +85° C	SMA female
50PD-647	50 Ohms	5 Watts average (divider) 0.5 Watts average (combiner)	-40° C to +85° C	SMA female



NOTE: DIMENSIONS ARE IN INCHES [MILLIMETERS]



NOTE: DIMENSIONS ARE IN INCHES [MILLIMETERS]

NOTE: DIMENSIONS ARE IN INCHES [MILLIMETERS]

This represents only 10% of our products. For YOUR application, contact JFW at 1-877-887-4JFW or sales@jfwindustries.com

# Reactive Power Dividers/Combiners

## Wideband SMA Only/Small Package

Model	Configuration	Frequency Range	VSWR (maximum)	Insertion Loss (maximum)	Isolation (minimum)	Amplitude Tracking	Phase Tracking
50PD-254	2-Way	800-3000 MHz	1.4:1	0.6 dB (above 3 dB split)	20 dB	+/- 0.3 dB	+/- 5°
50PD-525	3-Way	800-3000 MHz	1.5:1	0.6 dB (above 4.8 dB split)	20 dB	+/- 0.3 dB	+/- 5°
50PD-255	4-Way	800-3000 MHz	1.5:1	1.0 dB (above 6 dB split)	20 dB	+/- 0.4 dB	+/- 5°
50PD-282	8-Way	800-3000 MHz	1.5:1	1.3 dB (above 9 dB split)	20 dB	+/- 0.5 dB	+/- 5°

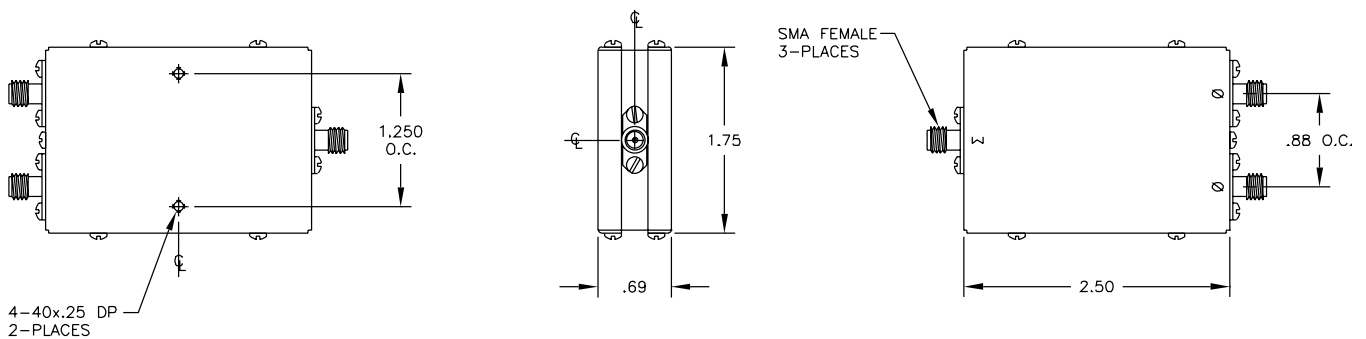
## High Isolation SMA Only/Small Package

Model	Configuration	Frequency Range	VSWR (maximum)	Insertion Loss	Isolation (minimum)	Amplitude Tracking	Phase Tracking
50PD-495	2-Way	800-2200 MHz	1.2:1	0.3 dB maximum (above 3 dB split)	30 dB	+/- 0.1 dB	+/- 1°
50PD-496	4-Way	800-2200 MHz	1.35:1	0.6 dB maximum (above 6 dB split)	27 dB	+/- 0.15 dB	+/- 3°
50PD-497	8-Way	800-2200 MHz	1.4:1	0.9 dB maximum (above 9 dB split)	27 dB	+/- 0.3 dB	+/- 5°
50PD-639	2-Way	500-2500 MHz	1.3:1	0.5 dB maximum 0.1 dB typical @ 500 MHz 0.3 dB typical @ 2500 MHz (above 3 dB split)	22 dB 26 dB typical	+/- 0.25 dB	+/- 3°

## Common Specifications

Impedance	Input Power	Operating Temperature	RF Connectors
50 Ohms	5 Watts average (divider) 100 Watts peak (1 microsecond)	-40° C to +85° C	SMA female

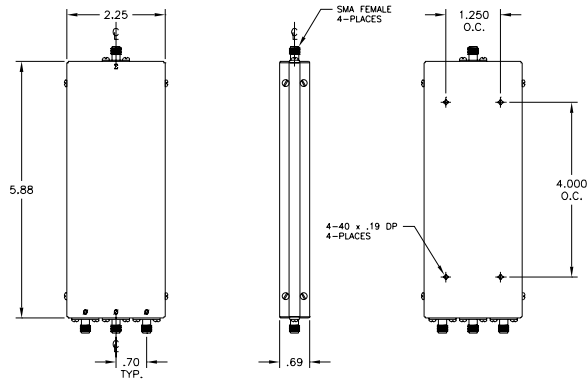
### 50PD-254 / 50PD-495 / 50PD-639



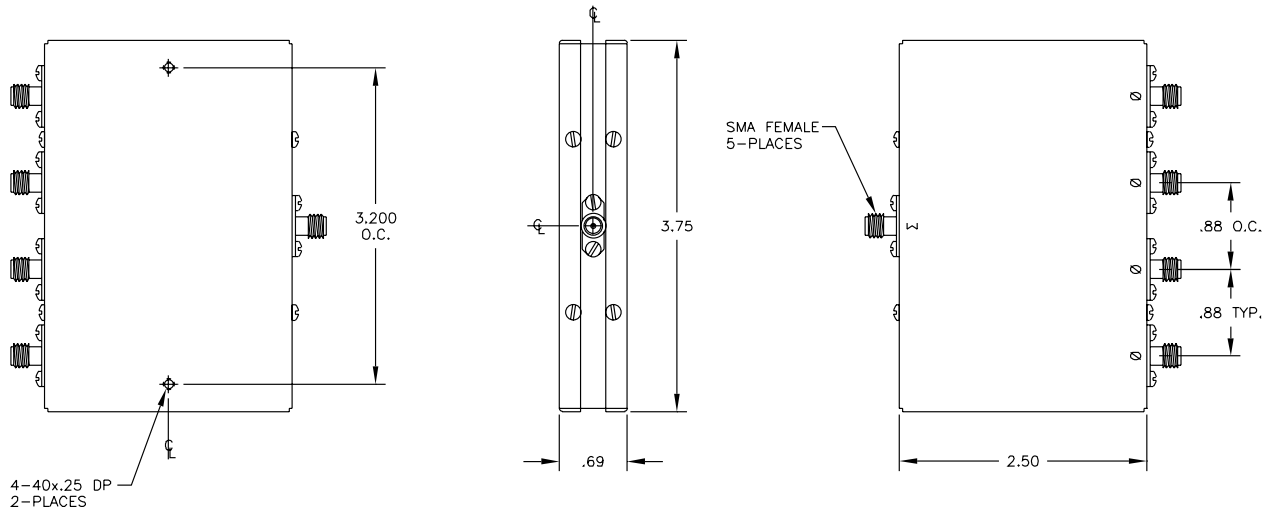
This represents only 10% of our products. For YOUR application, contact JFW at 1-877-887-4JFW or sales@jfwindustries.com

# Reactive Power Dividers/Combiners

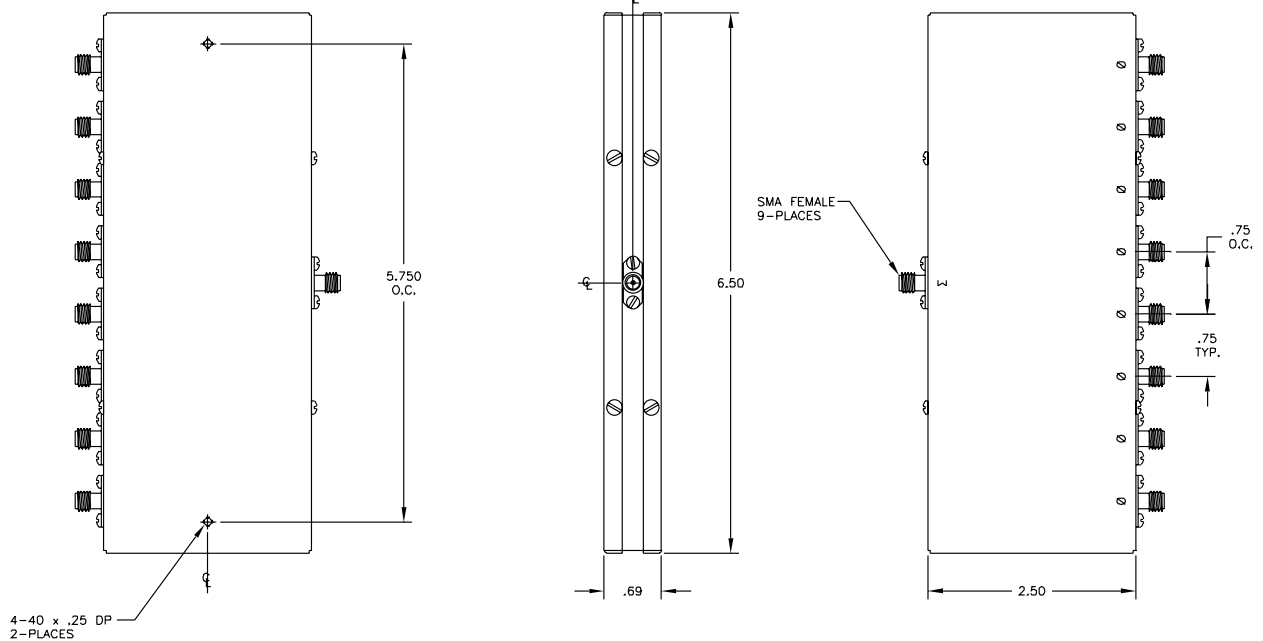
50PD-525



50PD-255 / 50PD-496



50PD-282 / 50PD-497



This represents only 10% of our products. For YOUR application, contact JFW at 1-877-887-4JFW or sales@jfwindustries.com

# Reactive Power Dividers/Combiners

## Standard/Any Connector

Model	Configuration	Frequency Range	VSWR (maximum)	Insertion Loss (maximum)	Isolation (minimum)	Amplitude Tracking	Phase Tracking
50PD-223	2-Way	800-2200 MHz	1.5:1	0.6 dB (above 3 dB split)	20 dB	+/- 0.3 dB	+/- 5°
50PD-224	3-Way	800-2200 MHz	1.5:1	0.6 dB (above 4.8 dB split)	20 dB	+/- 0.5 dB	+/- 5°
50PD-454	4-Way	800-2200 MHz	1.5:1	0.8 dB (above 6 dB split)	20 dB	+/- 0.4 dB	+/- 5°
50PD-455	6-Way	800-2200 MHz	1.6:1	1.3 dB (above 7.8 dB split)	18 dB	+/- 0.75 dB	+/- 5°
50PD-456	8-Way	800-2200 MHz	1.5:1	1.2 dB (above 9 dB split)	20 dB	+/- 0.5 dB	+/- 5°

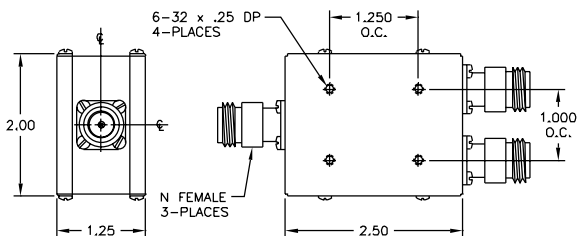
## Wideband/Any Connector

Model	Configuration	Frequency Range	VSWR (maximum)	Insertion Loss	Isolation (minimum)	Amplitude Tracking	Phase Tracking
50PD-287	2-Way	800-3000 MHz	1.4:1	0.6 dB maximum (above 3 dB split)	20 dB	+/- 0.3 dB	+/- 5°
50PD-445	2-Way	400-3000 MHz	1.45:1	1.0 dB maximum 0.3 dB typical @ 400 MHz 0.7 dB typical @ 3000 MHz (above 3 dB split)	20 dB	+/- 0.3 dB	+/- 4°
50PD-567	4-Way	800-3000 MHz	1.5:1	1.0 dB maximum (above 6 dB split)	20 dB	+/- 0.4 dB	+/- 5°
50PD-485	8-Way	800-3000 MHz	1.5:1	1.5 dB maximum (above 9 dB split)	20 dB	+/- 0.4 dB	+/- 5°

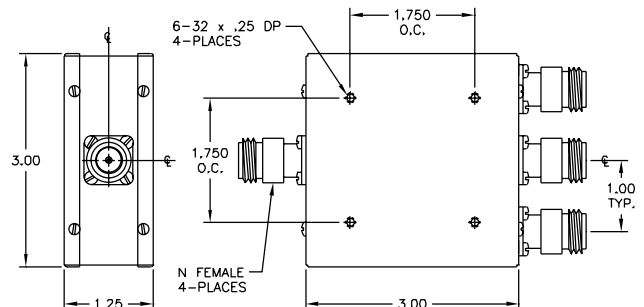
## Common Specifications

Impedance	Input Power	Operating Temperature	RF Connectors
50 Ohms	5 Watts average (divider) 100 Watts peak (1 microsecond)	-40° C to +85° C	SMA, BNC, N, TNC or Reverse Polarity TNC female

**50PD-223 / 50PD-287 / 50PD-445**



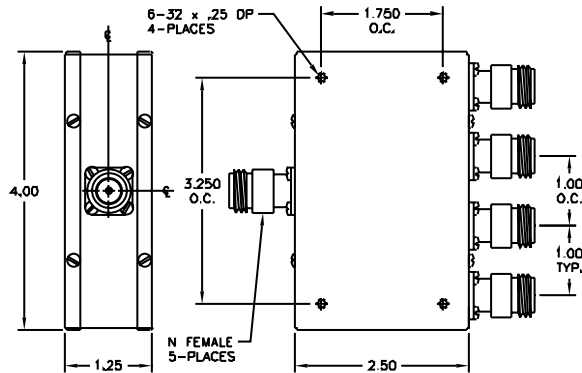
**50PD-224**



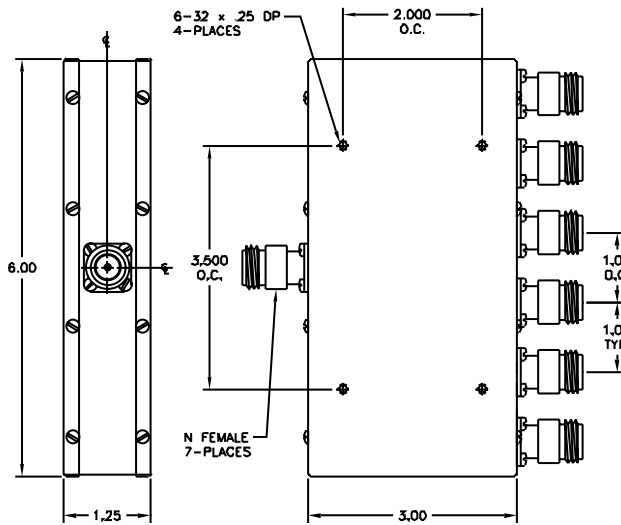
This represents only 10% of our products. For YOUR application, contact JFW at 1-877-887-4JFW or sales@jfwindustries.com

# Reactive Power Dividers/Combiners

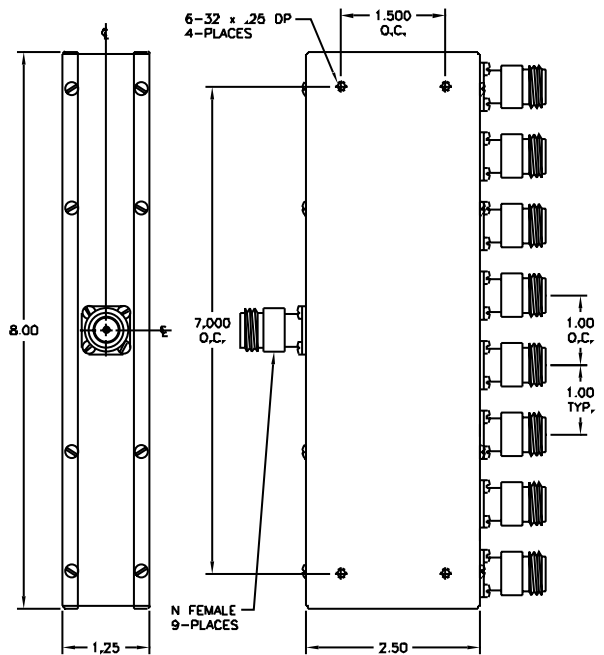
50PD-454 / 50PD-567



50PD-455



50PD-456 / 50PD-485



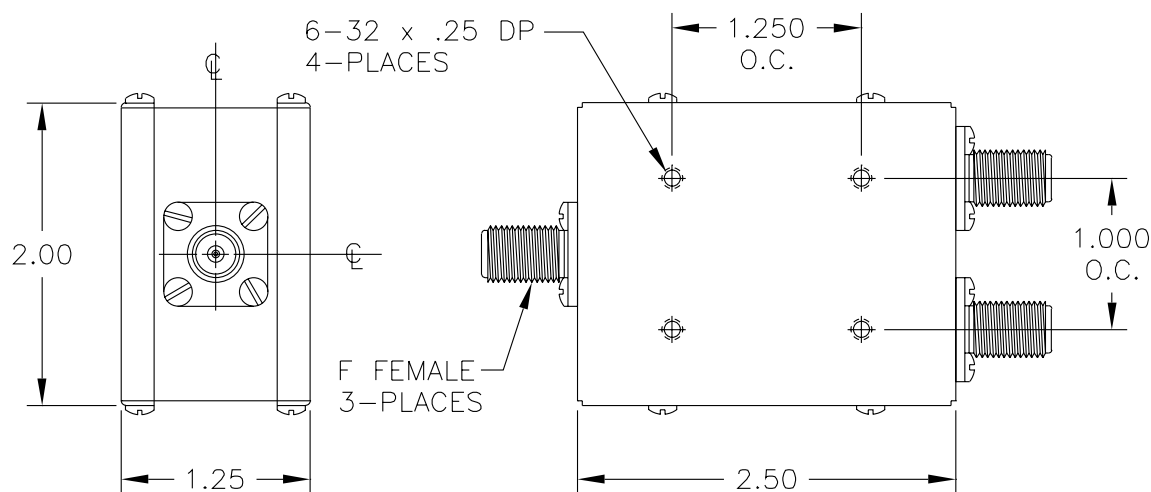
This represents only 10% of our products. For YOUR application, contact JFW at 1-877-887-4JFW or sales@jfwindustries.com

# 75 Ohm Reactive Power Dividers/Combiners

Model	Configuration	Frequency Range	VSWR (maximum)	Insertion Loss (maximum)	Isolation (minimum)	Amplitude Tracking	Phase Tracking
75PD-074	2-Way	800-2400 MHz	1.5:1	0.75 dB (above 3 dB split)	20 dB	+/- 0.4 dB	+/- 5°
75PD-072	4-Way	800-2400 MHz	1.5:1	1.0 dB (above 6 dB split)	20 dB	+/- 0.5 dB	+/- 5°
75PD-075	8-Way	950-2150 MHz	1.5:1	1.3 dB (above 9 dB split)	20 dB	+/- 0.6 dB	+/- 5°

Common Specifications			
Impedance	Input Power	Operating Temperature	RF Connectors
75 Ohms	5 Watts average (divider) 100 Watts peak (1 microsecond)	-40° C to +85° C	N or F female

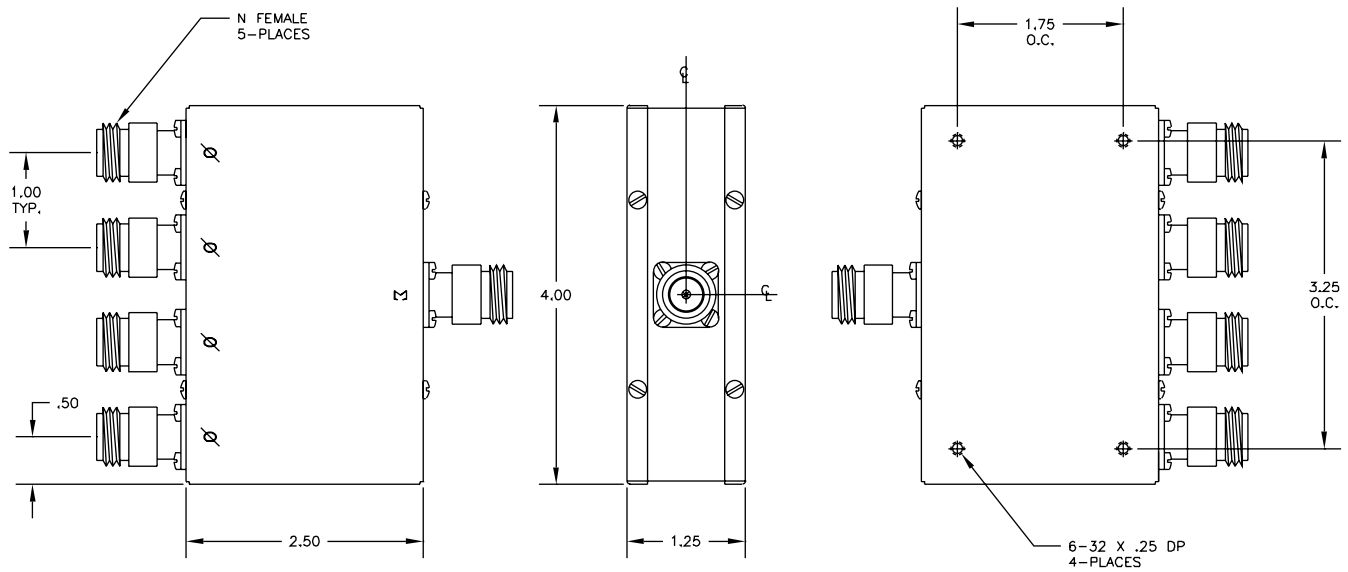
75PD-074



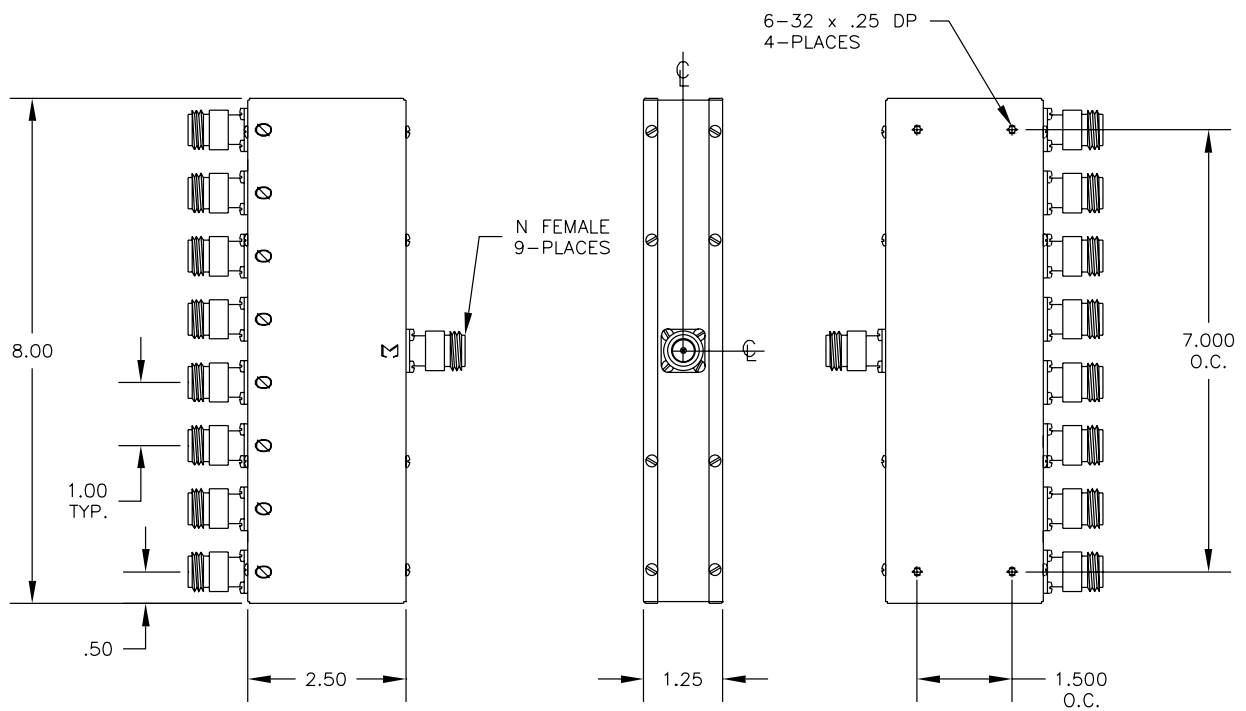
This represents only 10% of our products. For YOUR application, contact JFW at 1-877-887-4JFW or sales@jfwindustries.com

# 75 Ohm Reactive Power Dividers/Combiners

75PD-072



75PD-075

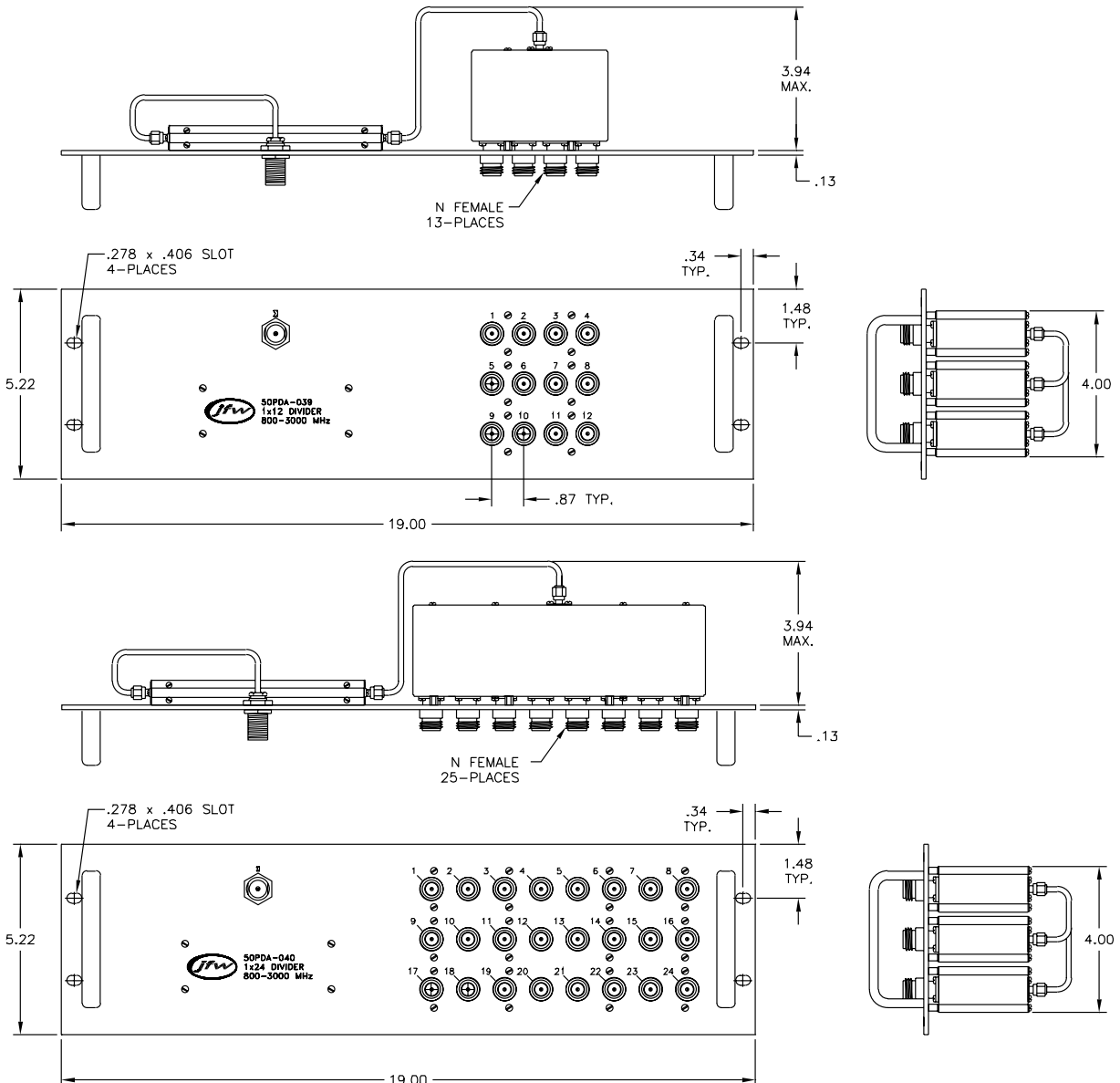


This represents only 10% of our products. For YOUR application, contact JFW at 1-877-887-4JFW or sales@jfwindustries.com

# Power Dividers/Combiners Assembly

Model	Configuration	Frequency Range	VSWR (maximum)	Insertion Loss (maximum)	Isolation (minimum)	Amplitude Tracking	Phase Tracking
50PDA-039	12-Way	800-3000 MHz	1.6:1	1.75 dB (above 10.8 dB split)	20 dB	+/- 0.75 dB	+/- 10°
50PDA-040	24-Way	800-3000 MHz	1.6:1	1.9 dB (above 13.8 dB split)	20 dB	+/- 0.9 dB	+/- 10°

Common Specifications				
Impedance	Input Power	Peak Power	Operating Temperature	RF Connectors
50 Ohms	5 Watts average (divider)	100 Watts (1 microsecond)	-40° C to +85° C	N or SMA female



This represents only 10% of our products. For YOUR application, contact JFW at 1-877-887-4JFW or sales@jfwindustries.com