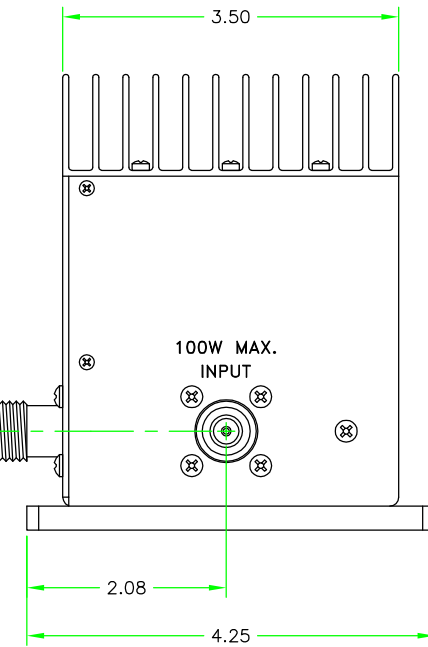
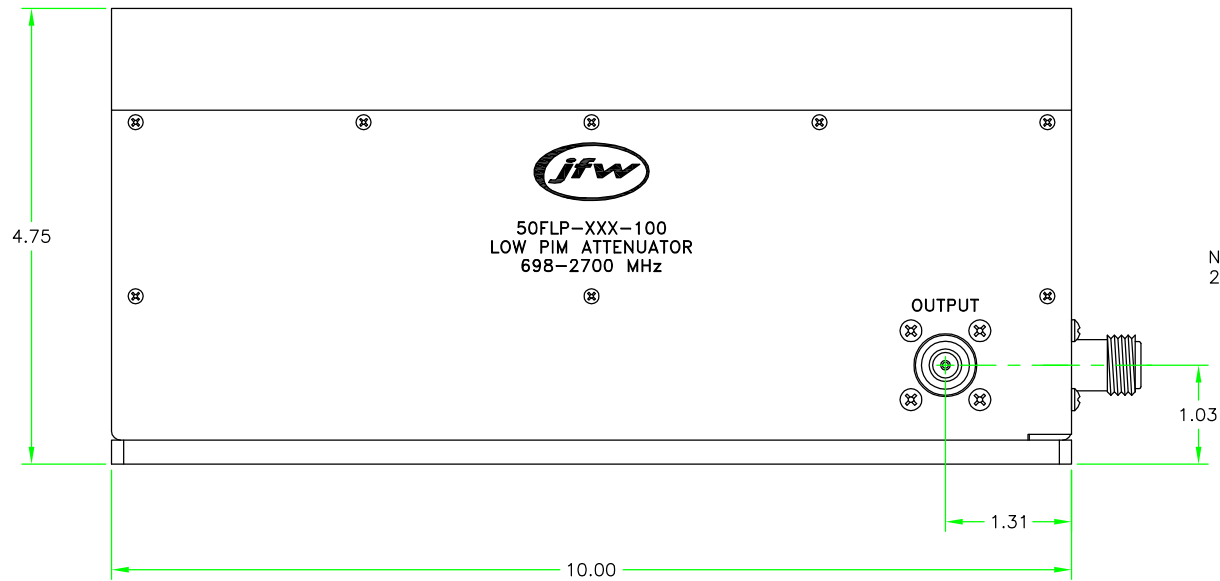
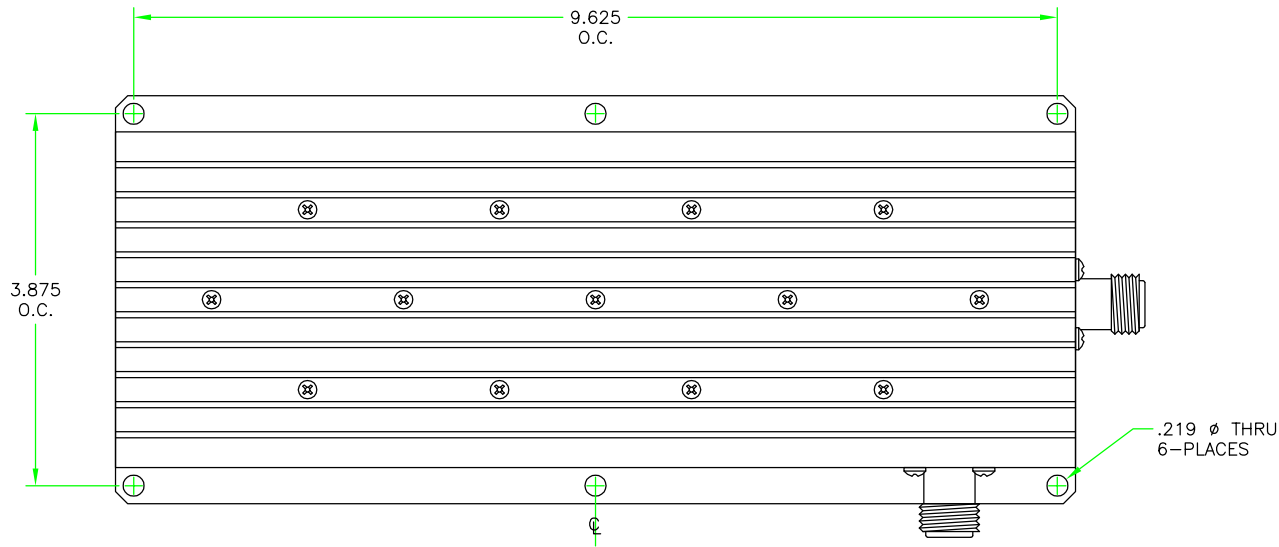


SPECIFICATION SHEET
JFW MODEL 50FLP-XXX-80
FIXED ATTENUATOR

JFW Industries, Inc.
 Phone: 317-887-1340
 sales@jfwindustries.com
 www.jfwindustries.com

| | |
|-----------------------------|---|
| Frequency Range | 698-2700 MHz |
| Impedance | 50 Ohms nominal |
| Attenuation Values | 5, 6, 10, 20 and 30 dB only |
| VSWR | 1.4:1 maximum < 1.3:1 typical |
| Attenuation Accuracy | ± 0.75 dB maximum ± 0.5 dB typical |
| 3rd Order Intercept Point | -165 dBc typical -155 dBc maximum (Measured with two +43 dBm tones at 1930 and 1950 MHz) |
| RF Input Power | 80 Watts average @ +25°C Derate to 40 Watts @ +85°C |
| Peak Power | 1000 Watts (1 microsecond pulse) |
| RF Connector | N female (Tri-M3 plated) |
| Operating Temperature Range | -55° C to +100° C |
| Weight | 8.5 lbs typical |
| Physical Size | See outline drawing 092-7886 |

| ECR/ECN # | DATE | REV | APPR / DATE | ECR/ECN # | DATE | REV | APPR / DATE |
|-----------|------------|-----|----------------|-----------|------|-----|-------------|
| | 11/26/2013 | | CLK 11/26/2013 | | | | |
| 23822 | 03/04/2014 | A | CLK 03/04/2014 | | | | |



| REV | ECN | DATE | BY | APPR |
|-----|--------|----------|----|------|
| - | ISSUED | 11-22-13 | BZ | TEZ |
| A | 23783 | 2-24-14 | JZ | |
| | | | | |
| | | | | |
| | | | | |
| | | | | |
| | | | | |
| | | | | |
| | | | | |
| | | | | |

| | | | |
|-------------|------------------------------|--|----------------|
| | | JFW INDUSTRIES, INC. www.jfwindustries.com PH: 317-887-1340 | |
| | | MATERIAL | ALUMINUM ALLOY |
| FINISH | BLACK ANODIZED / BLACK PAINT | ALL SURFACES ARE TO BE FREE OF BURRS, PITS, & SCRATCHES | |
| MODEL | 50FLP-XXX-100 | SCALE | FULL |
| DESCRIPTION | LOW PIM ATTENUATOR | | DWG # 092-7886 |
| | | TOLERANCES XX±.010 XXX±.005 Y0±.5' | |