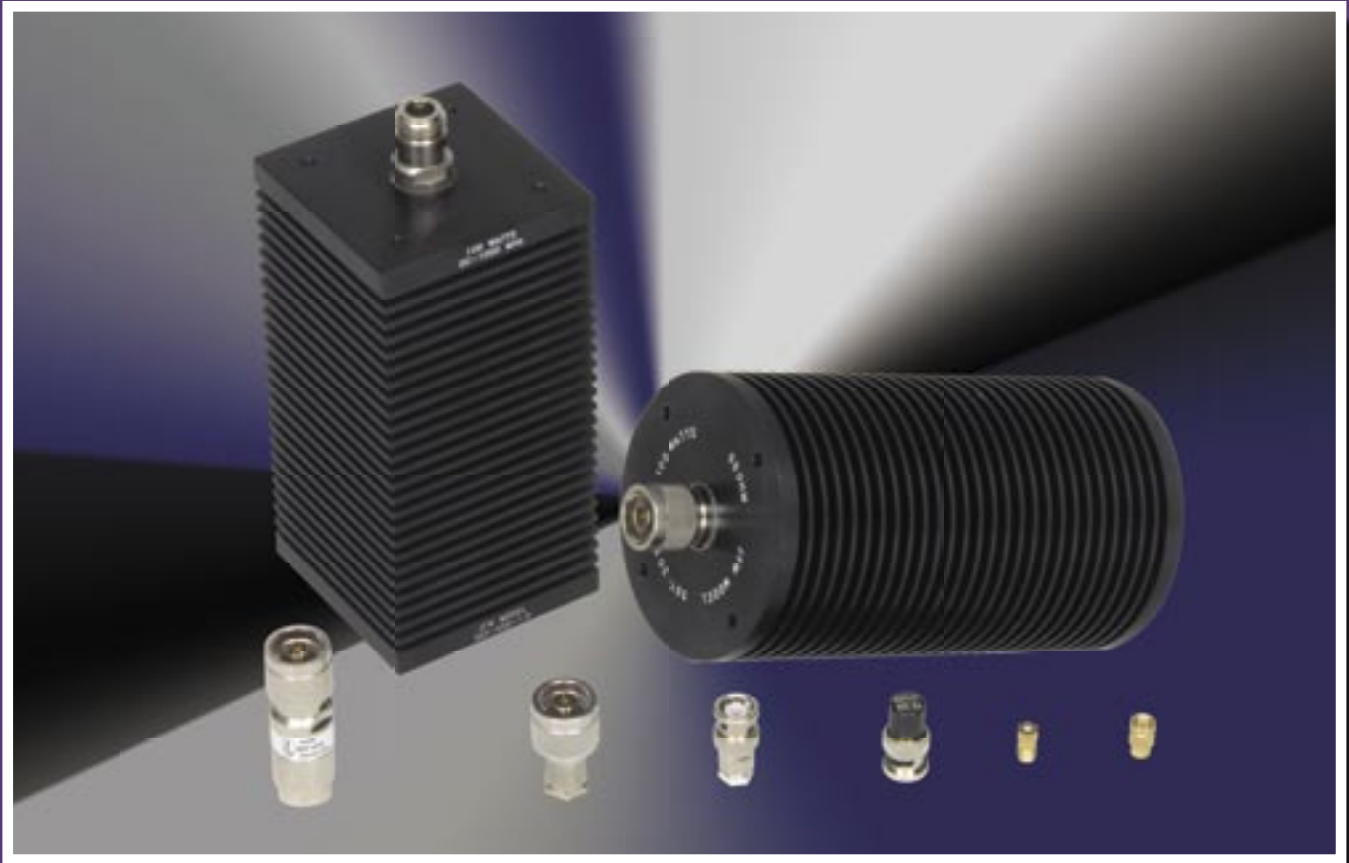


# Terminations and Mismatches

Each termination from JFW is designed and manufactured to the highest quality standards. JFW has a plethora of terminations that have various impedance, input powers, RF connectors and mechanical configurations.



## *Available Features*

- Terminations from DC-26.5 GHz
- Terminations from 1/2 Watt to 1000 Watts (CW)
- High peak power terminations (up to 20 kW pulses)
- 50 Ohm and 75 Ohm terminations  
(other impedance values also available upon request)
- Choose from many RF connectors (BNC, SMA, N, TNC, 7/16, F, reverse polarity and more)
- Custom mechanical configurations for your project available upon request

**AFFORDABLE CUSTOM DESIGNS ARE ALSO AVAILABLE!**

Call 317-887-1340 • Toll Free 877-887-4539 • Fax 317-881-6790  
E-mail [sales@jfwindustries.com](mailto:sales@jfwindustries.com) • [www.jfwindustries.com](http://www.jfwindustries.com)

# Terminations and Mismatches

## Model Number Index

Please add connector type to the end of part number to complete model number (Example: 50T-455 SMA M).

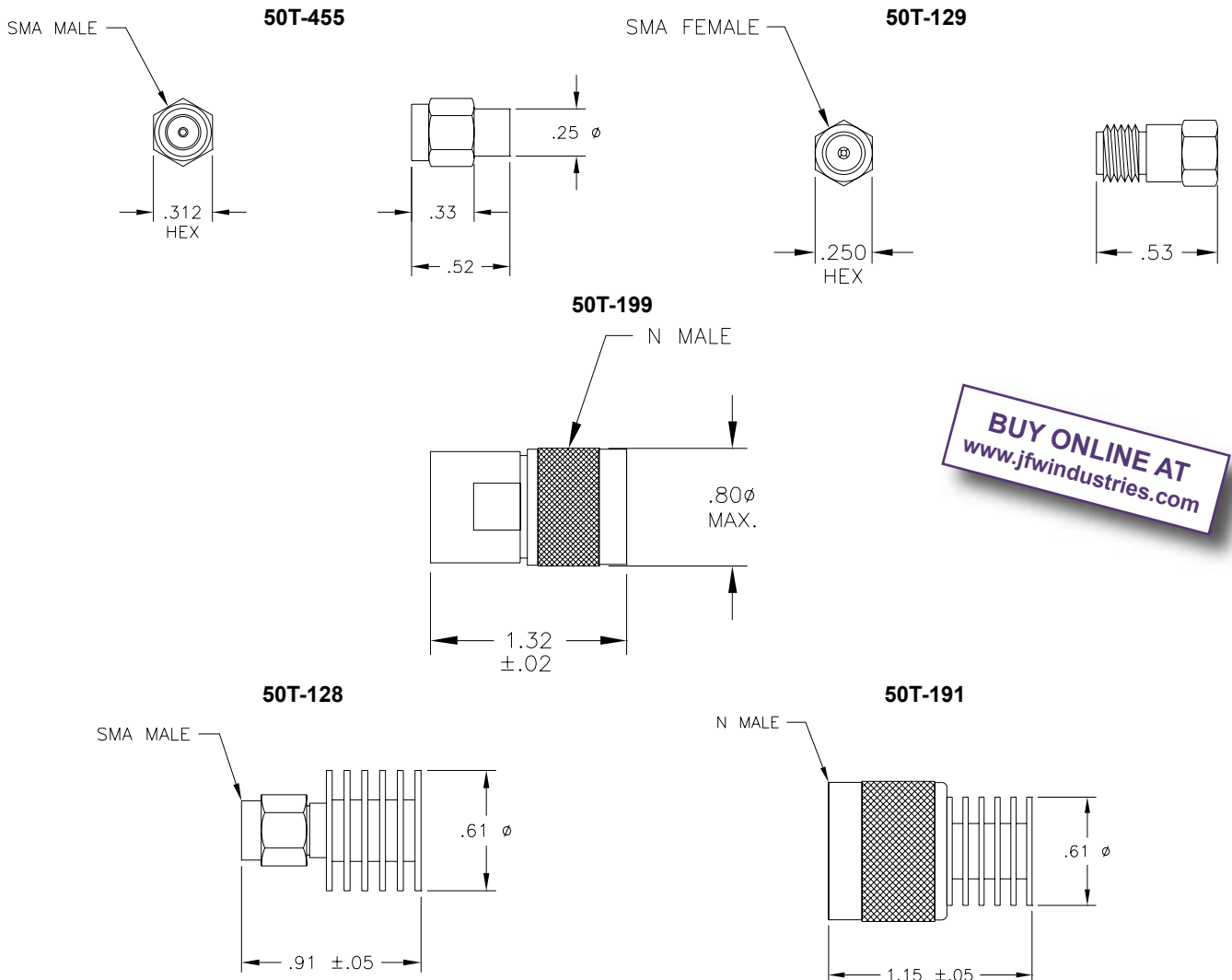
Low Power - 50 Ohm			
Model Number	Frequency Range	Average Power	Page
50T-001	DC-2000 MHz	1 Watt	5-5
50T-002	DC-2000 MHz	1 Watt	5-5
50T-007	DC-8000 MHz	1 Watt	5-5
50T-008	DC-8000 MHz	1 Watt	5-5
50T-009	DC-8000 MHz	1 Watt	5-5
50T-010	DC-8000 MHz	1 Watt	5-5
50T-013	DC-2000 MHz	1 Watt	5-5
50T-014	DC-2000 MHz	1 Watt	5-5
50T-129	DC-18 GHz	1 Watt	5-3
50T-142	DC-8000 MHz	2 Watts	5-10
50T-143	DC-8000 MHz	2 Watts	5-10
50T-199	DC-18 GHz	2 Watts	5-3
50T-261	DC-2000 MHz	2 Watts	5-7
50T-300	DC-3000 MHz	2 Watts	5-7
50T-317	DC-2500 MHz	1 Watt	5-4
50T-319	DC-2200 MHz	1 Watt	5-4
50T-325	DC-2500 MHz	1 Watt	5-4
50T-352	DC-6000 MHz	1 Watt	5-4
50T-363	DC-4000 MHz	2 Watts	5-7
50T-364	DC-2200 MHz	1 Watt	5-4
50T-376	DC-4000 MHz	2 Watts	5-7
50T-378	DC-2200 MHz	1 Watt	5-4
50T-455	DC-18 GHz	1 Watt	5-3
Low Power - 75 Ohm			
Model Number	Frequency Range	Average Power	Page
75T-001	DC-1000 MHz	1 Watt	5-6
75T-002	DC-1000 MHz	1 Watt	5-6
75T-018	DC-2150 MHz	1 Watt	5-6
75T-019	DC-2150 MHz	1 Watt	5-6
75T-035	DC-2150 MHz	2 Watts	5-6

Medium Power - 50 Ohm			
Model Number	Frequency Range	Average Power	Page
50T-034-XXX	DC-1000 MHz	50 Watts	5-14
50T-054	DC-1200 MHz	30 Watts	5-12
50T-055	DC-1200 MHz	30 Watts	5-12
50T-056	DC-1200 MHz	30 Watts	5-12
50T-057	DC-1200 MHz	30 Watts	5-12
50T-058	DC-1200 MHz	30 Watts	5-12
50T-059	DC-1200 MHz	30 Watts	5-12
50T-116	DC-3500 MHz	30 Watts	5-12
50T-128	DC-18 GHz	5 Watts	5-3
50T-191	DC-18 GHz	5 Watts	5-3
50T-358-XXX	DC-3000 MHz	20 Watts	5-13
50T-359-XXX	DC-3000 MHz	15 Watts	5-13
50T-410	DC-4000 MHz	5 Watts	5-11
50T-439-XXX	DC-3000 MHz	10 Watts	5-13
50T-440-XXX	DC-3000 MHz	25 Watts	5-13
50T-473-XXX	DC-1000 MHz	5 Watts	5-11
50T-474	DC-2000 MHz	5 Watts	5-11
50T-498	DC-18 GHz	50 Watts	5-9
50T-506	DC-3 GHz	50 Watts	5-13
50T-507	DC-3 GHz	40 Watts	5-13
50T-511	DC-18 GHz	25 Watts	5-8

High Power - 50 Ohm			
Model Number	Frequency Range	Average Power	Page
50T-032-XXX	DC-1000 MHz	100 Watts	5-15
50T-069-XXX	DC-1000 MHz	300 Watts	5-19
50T-133-XXX	DC-1000 MHz	200 Watts	5-18
50T-242	DC-2000 MHz	100 Watts	5-15
50T-243	DC-3000 MHz	100 Watts	5-15
50T-303-XXX	DC-3000 MHz	100 Watts	5-16
50T-338-XXX	DC-3000 MHz	200 Watts	5-17
50T-350	DC-3000 MHz	150 Watts	5-16
50T-390	DC-6000 MHz	100 Watts	5-16
50T-420	DC-1000 MHz	500 Watts	5-20
50T-421	DC-3000 MHz	500 Watts	5-20
50T-495	DC-2500 MHz	1000 Watts	5-21
50T-513	DC-300 MHz	1000 Watts	5-21
50T-521	DC-1000 MHz	1000 Watts	5-21

# High Frequency Terminations

Model	Impedance	Frequency Range	VSWR (maximum)	Input Power	Peak Power	Operating Temperature	RF Connectors
50T-128	50 Ohms	DC-18 GHz	1.1:1 DC-4 GHz 1.15:1 4-8 GHz 1.2:1 8-12.4 GHz 1.25:1 12.4-18 GHz	5 Watts @ +25° C derated linearly to 1 Watt @ +125° C	250 Watts (5 microseconds)	-55° C to +125° C	SMA male or female
50T-129	50 Ohms	DC-18 GHz	1.05:1 DC-4 GHz 1.15:1 4-12.4 GHz 1.2:1 12.4-18 GHz	1 Watt @ +25° C	1000 Watts (5 microseconds)	-65° C to +125° C	SMA female
50T-191	50 Ohms	DC-18 GHz	1.1:1 DC-4 GHz 1.15:1 4-8 GHz 1.2:1 8-12.4 GHz 1.25:1 12.4-18 GHz	5 Watts @ +25° C derated linearly to 1 Watt @ +125° C	250 Watts (5 microseconds)	-65° C to +125° C	N male or female
50T-199	50 Ohms	DC-18 GHz	1.15:1 DC-8 GHz 1.2:1 8-12.4 GHz 1.3:1 12.4-18 GHz	2 Watts @ +25° C derated linearly to 1 Watt @ +125° C	2500 Watts (5 microseconds)	-65° C to +125° C	N male
50T-455	50 Ohms	DC-18 GHz	1.05:1 DC-4 GHz 1.15:1 4-12.4 GHz 1.2:1 12.4-18 GHz	1 Watt @ +25° C	1000 Watts (5 microseconds)	-65° C to +125° C	SMA male



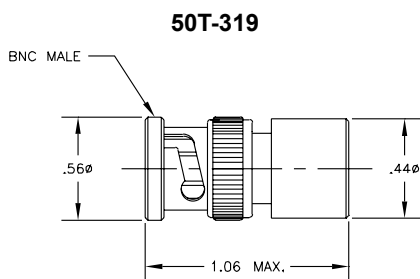
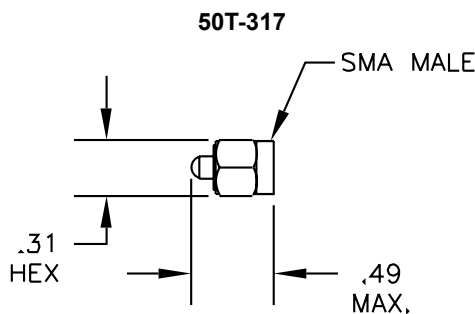
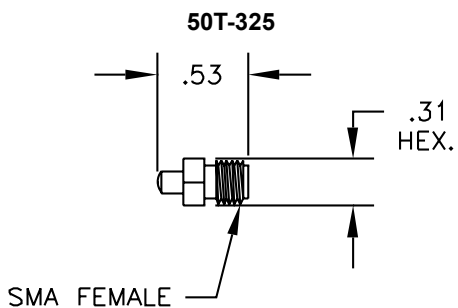
**BUY ONLINE AT**  
[www.jfwindustries.com](http://www.jfwindustries.com)

This represents only 10% of our products. For YOUR application, contact JFW at 1-877-887-4JFW or sales@jfwindustries.com

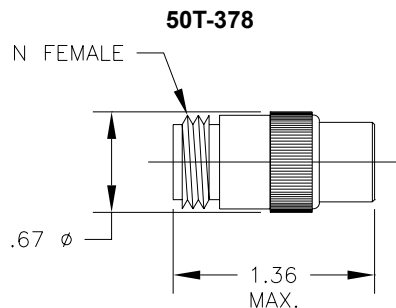
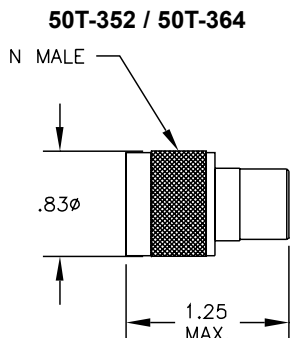
# 1 Watt Terminations

**LOW  
COST!**

Model	Impedance	Frequency Range	VSWR (maximum)	Input Power	Peak Power	Operating Temperature	RF Connectors
50T-317	50 Ohms	DC-2500 MHz	1.2:1 DC-2000 MHz 1.3:1 2000-2500 MHz	1 Watt @ +25° C derate to 0.25 Watts @ +70° C	1000 Watts	-20° C to +85° C	SMA male
50T-319	50 Ohms	DC-2200 MHz	1.2:1	1 Watt @ +25° C	1000 Watts	-20° C to +100° C	BNC male
50T-325	50 Ohms	DC-2500 MHz	1.1:1 DC-2000 MHz 1.2:1 2000-2500 MHz	1 Watt @ +25° C derate to 0.25 Watts @ +70° C	1000 Watts	-20° C to +85° C	SMA female
50T-352	50 Ohms	DC-6000 MHz	1.05:1 DC-1000 MHz 1.1:1 1000-2000 MHz 1.2:1 2000-4000 MHz 1.25:1 4000-6000 MHz	1 Watt @ +25° C	1000 Watts	-20° C to +100° C	N male
50T-364	50 Ohms	DC-2200 MHz	1.05:1 DC-500 MHz 1.1:1 500-1000 MHz 1.2:1 1000-2200 MHz	1 Watt @ +25° C	1000 Watts	-20° C to +100° C	N male
50T-378	50 Ohms	DC-2200 MHz	1.05:1 DC-500 MHz 1.1:1 500-1000 MHz 1.2:1 1000-2200 MHz	1 Watt @ +25° C	1000 Watts	-20° C to +100° C	N female



**BUY ONLINE AT**  
[www.jfwindustries.com](http://www.jfwindustries.com)

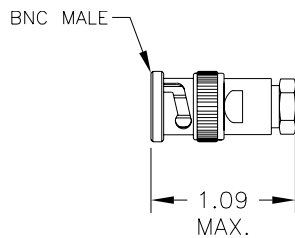


This represents only 10% of our products. For YOUR application, contact JFW at 1-877-887-4JFW or sales@jfwindustries.com

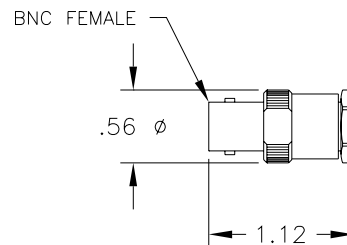
# 1 Watt Terminations

Model	Impedance	Frequency Range	VSWR (maximum)	Input Power	Peak Power	Operating Temperature	RF Connectors
50T-001	50 Ohms	DC-2000 MHz	1.1:1	1 Watt @ +25° C	1000 Watts	-20° C to +100° C	BNC male
50T-002	50 Ohms	DC-2000 MHz	1.1:1	1 Watt @ +25° C	1000 Watts	-20° C to +100° C	BNC female
50T-007	50 Ohms	DC-8000 MHz	1.1:1 DC-4000 MHz 1.25:1 4000-8000 MHz	1 Watt @ +25° C	1000 Watts	-20° C to +100° C	N male
50T-008	50 Ohms	DC-8000 MHz	1.1:1 DC-4000 MHz 1.25:1 4000-8000 MHz	1 Watt @ +25° C	1000 Watts	-20° C to +100° C	N female
50T-009	50 Ohms	DC-8000 MHz	1.1:1 DC-4000 MHz 1.25:1 4000-8000 MHz	1 Watt @ +25° C	1000 Watts	-20° C to +100° C	SMA male
50T-010	50 Ohms	DC-8000 MHz	1.1:1 DC-4000 MHz 1.25:1 4000-8000 MHz	1 Watt @ +25° C	1000 Watts	-20° C to +100° C	SMA female
50T-013	50 Ohms	DC-2000 MHz	1.1:1	1 Watt @ +25° C	1000 Watts	-20° C to +100° C	SMA male
50T-014	50 Ohms	DC-2000 MHz	1.1:1	1 Watt @ +25° C	1000 Watts	-20° C to +100° C	SMA female

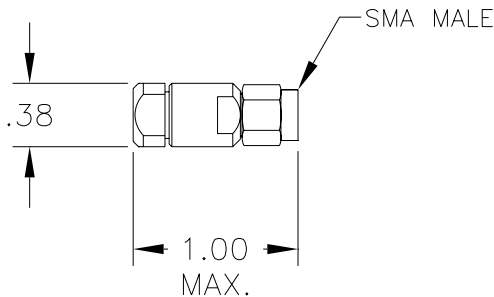
**50T-001**



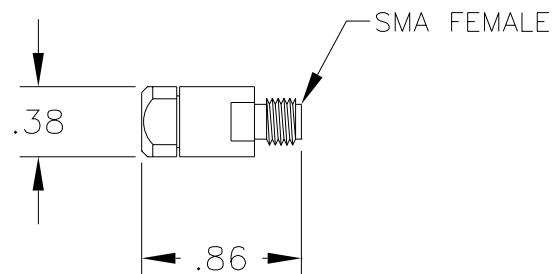
**50T-002**



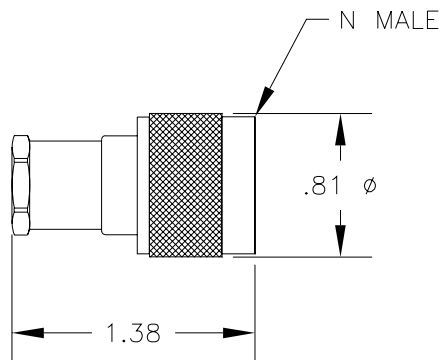
**50T-009 / 50T-013**



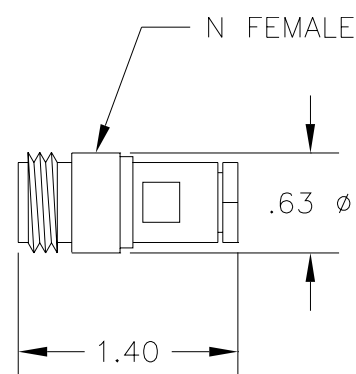
**50T-010 / 50T-014**



**50T-007**



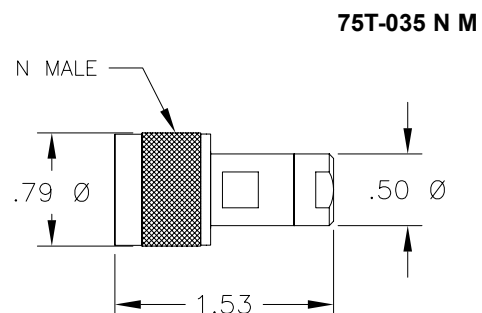
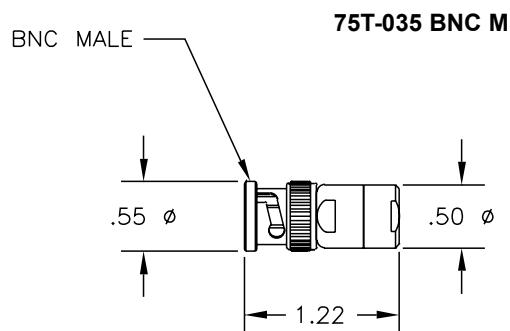
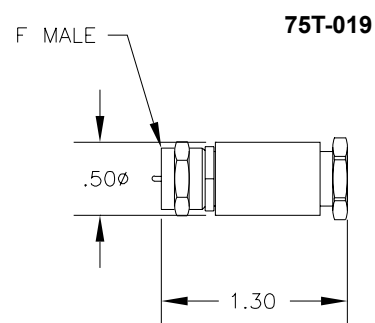
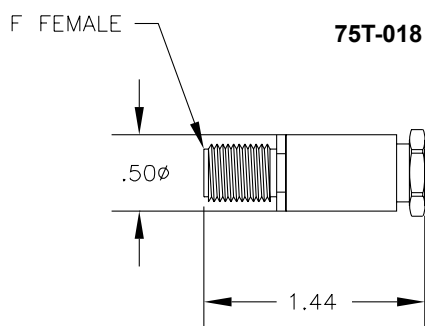
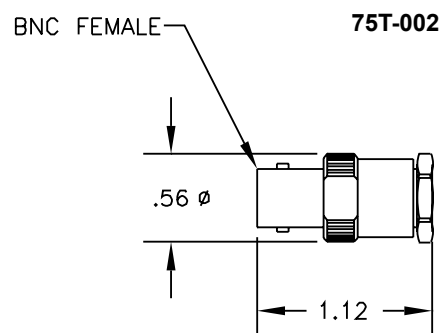
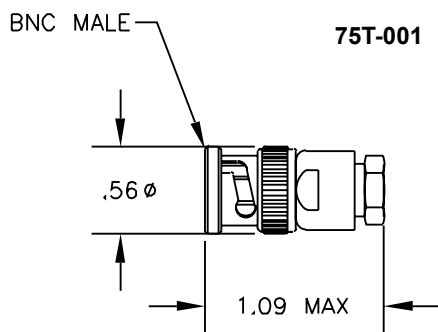
**50T-008**



This represents only 10% of our products. For YOUR application, contact JFW at 1-877-887-4JFW or sales@jfwindustries.com

# 75 Ohm Terminations

Model	Impedance	Frequency Range	VSWR (maximum)	Input Power	Peak Power	Operating Temperature	RF Connectors
75T-001	75 Ohms	DC-1000 MHz	1.1:1	1 Watt @ +25° C	1000 Watts	-20° C to +100° C	BNC male
75T-002	75 Ohms	DC-1000 MHz	1.1:1	1 Watt @ +25° C	1000 Watts	-20° C to +100° C	BNC female
75T-018	75 Ohms	DC-2150 MHz	1.1:1 DC-1000 MHz 1.15:1 1000-2150 MHz	1 Watt @ +25° C	1000 Watts	-55° C to +85° C	F female
75T-019	75 Ohms	DC-2150 MHz	1.1:1 DC-1000 MHz 1.15:1 1000-2150 MHz	1 Watt @ +25° C	1000 Watts	-55° C to +85° C	F male Thread-On with .024" diameter center conductor
75T-035	75 Ohms	DC-2150 MHz	1.15:1 DC-1000 MHz 1.25:1 1000-2150 MHz	2 Watts @ +25° C	1000 Watts	-20° C to +100° C	N or BNC

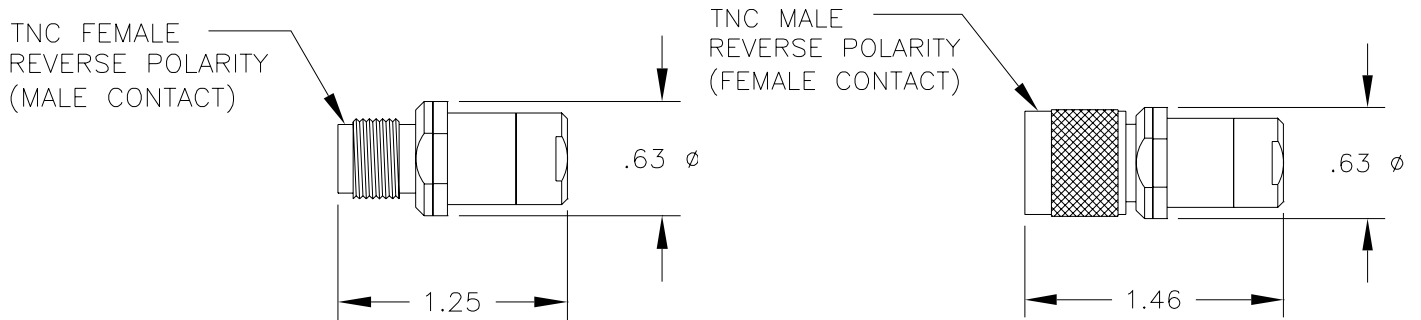


This represents only 10% of our products. For YOUR application, contact JFW at 1-877-887-4JFW or sales@jfwindustries.com

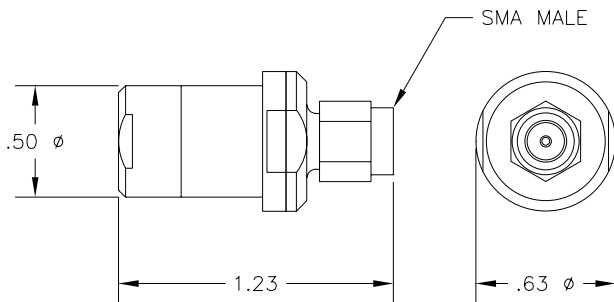
# 2 Watt Terminations

Model	Impedance	Frequency Range	VSWR (maximum)	Input Power (average)	Peak Power	Operating Temperature	RF Connectors
50T-261	50 Ohms	DC-2000 MHz	1.1:1	2 Watts	1000 Watts	-20° C to +100° C	7/16 male or female
50T-300	50 Ohms	DC-3000 MHz	1.1:1 DC-1500 MHz 1.2:1 1500-3000 MHz	2 Watts	1000 Watts	-55° C to +125° C	TNC Reverse Polarity male or female
50T-363	50 Ohms	DC-4000 MHz	1.1:1 DC-2000 MHz 1.2:1 2000-4000 MHz	2 Watts	1000 Watts	-20° C to +100° C	7/16 male or female
50T-376	50 Ohms	DC-4000 MHz	1.1:1	2 Watts	1000 Watts	-20° C to +85° C	SMA, N, TNC, BNC male or female

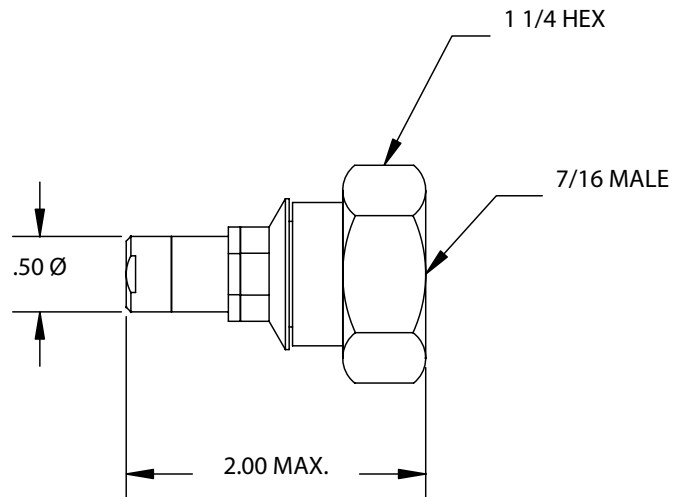
## 50T-300



## 50T-376



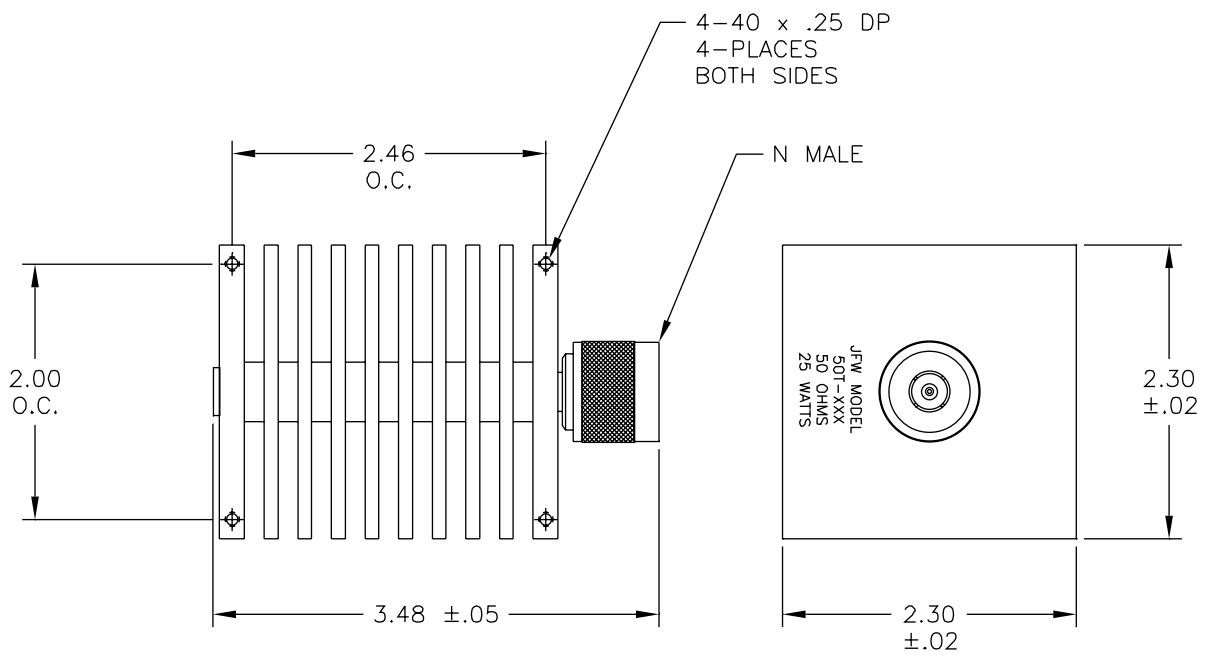
## 50T-261 / 50T-363



This represents only 10% of our products. For YOUR application, contact JFW at 1-877-887-4JFW or sales@jfwindustries.com

# 25 Watt High Frequency Termination

Model	Impedance	Frequency Range	VSWR (maximum)	Input Power	Peak Power	Operating Temperature	RF Connectors
50T-511	50 Ohms	DC-18 GHz	1.2:1 DC-6 GHz 1.3:1 6-12.4 GHz 1.4:1 12.4-18 GHz	25 Watts	500 Watts	-65° C to +125° C	SMA male, N male or TNC male

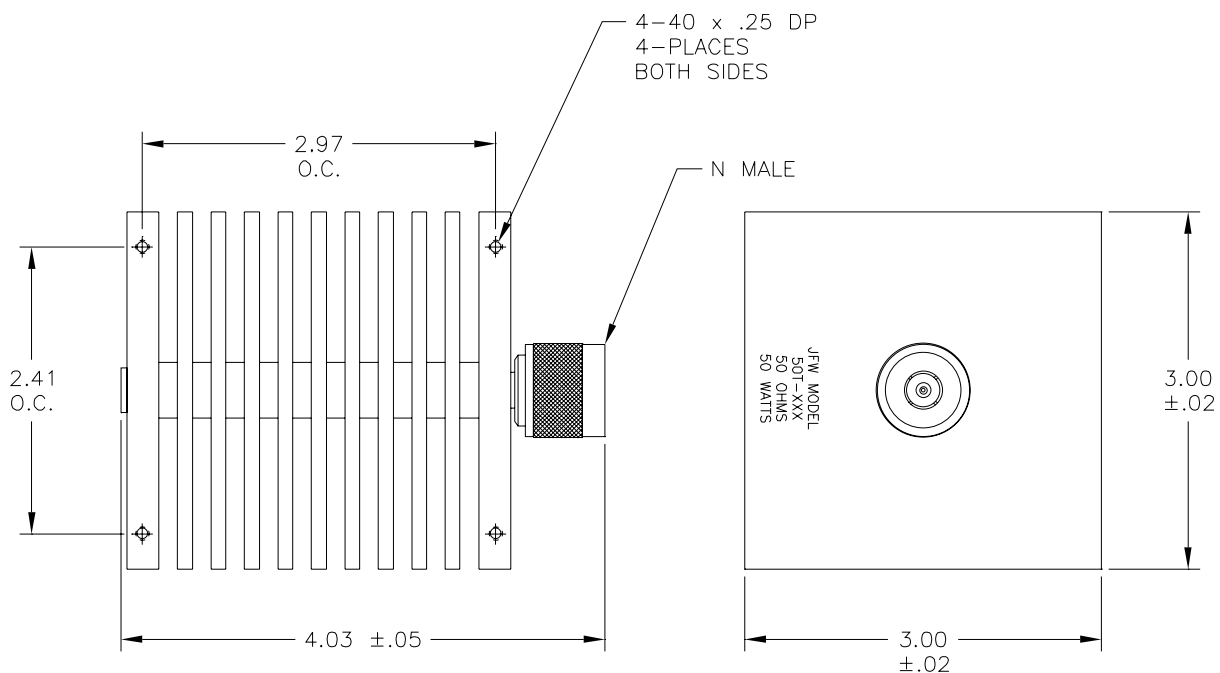


This represents only 10% of our products. For YOUR application, contact JFW at 1-877-887-4JFW or sales@jfwindustries.com



# 50 Watt High Frequency Termination

Model	Impedance	Frequency Range	VSWR (maximum)	Input Power (average)	Peak Power	Operating Temperature	RF Connectors
50T-498	50 Ohms	DC-18 GHz	1.25:1 DC-6 GHz 1.35:1 6-12.4 GHz 1.45:1 12.4-18 GHz	50 Watts	500 Watts	-65° C to +125° C	N male or female

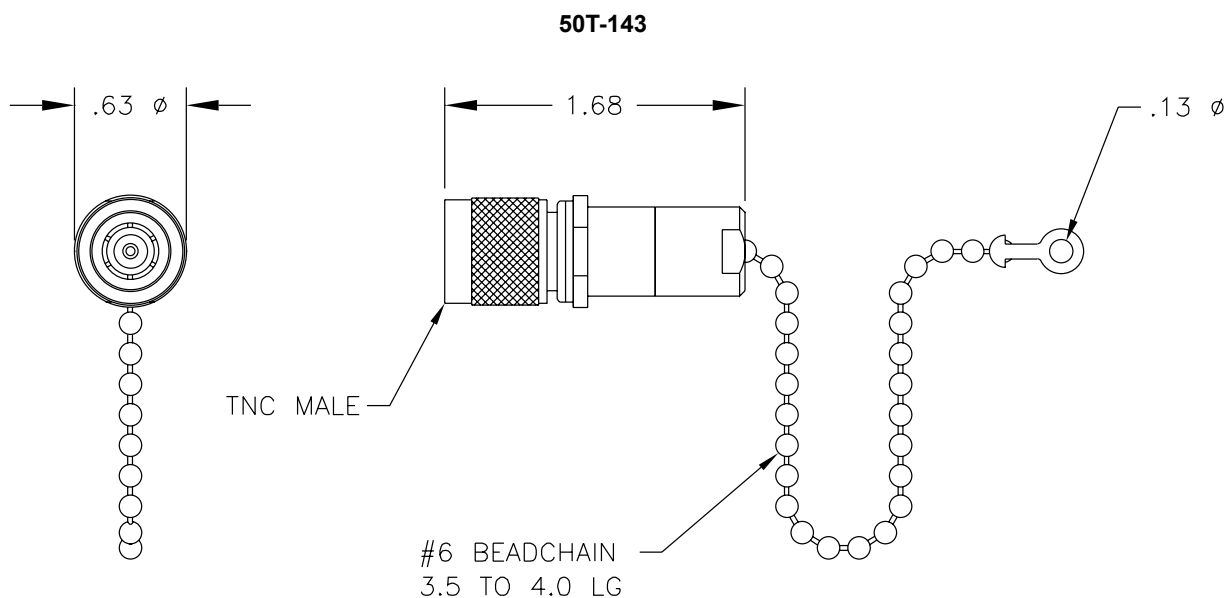
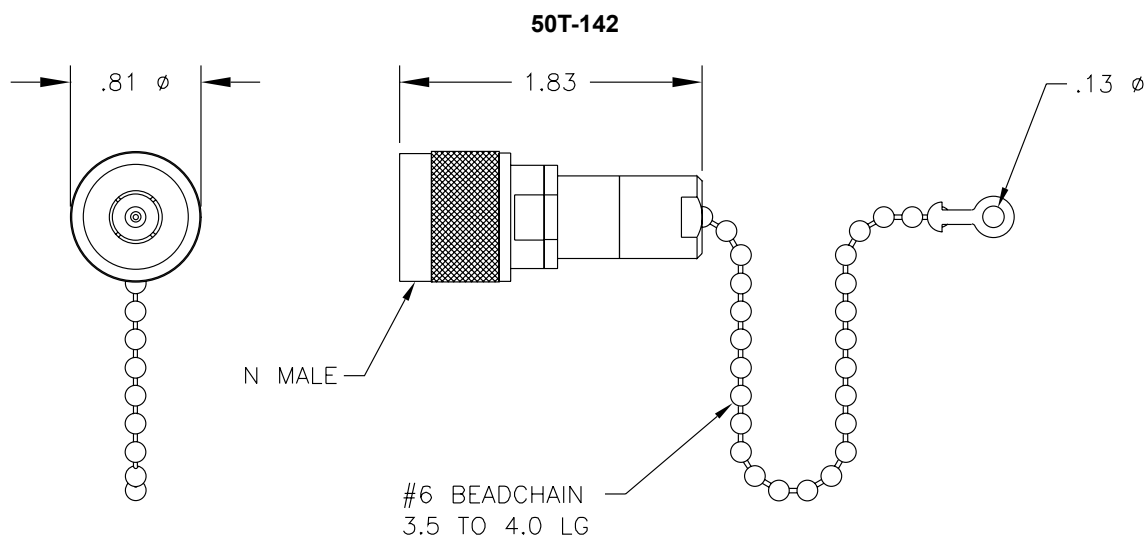


This represents only 10% of our products. For YOUR application, contact JFW at 1-877-887-4JFW or sales@jfwindustries.com

# 2 Watt Terminations with Beadchain

Model	Impedance	Frequency Range	VSWR (maximum)	Input Power	Peak Power	Operating Temperature	RF Connectors
50T-142	50 Ohms	DC-8000 MHz	1.1:1 DC-1000 MHz 1.2:1 1000-4000 MHz 1.35:1 4000-8000 MHz	2 Watts @ +25° C	100 Watts	-20° C to +100° C	N male with Beadchain
50T-143	50 Ohms	DC-8000 MHz	1.1:1 DC-1000 MHz 1.2:1 1000-4000 MHz 1.35:1 4000-8000 MHz	2 Watts @ +25° C	100 Watts	-20° C to +100° C	TNC male with Beadchain

\* also available without the beadchain

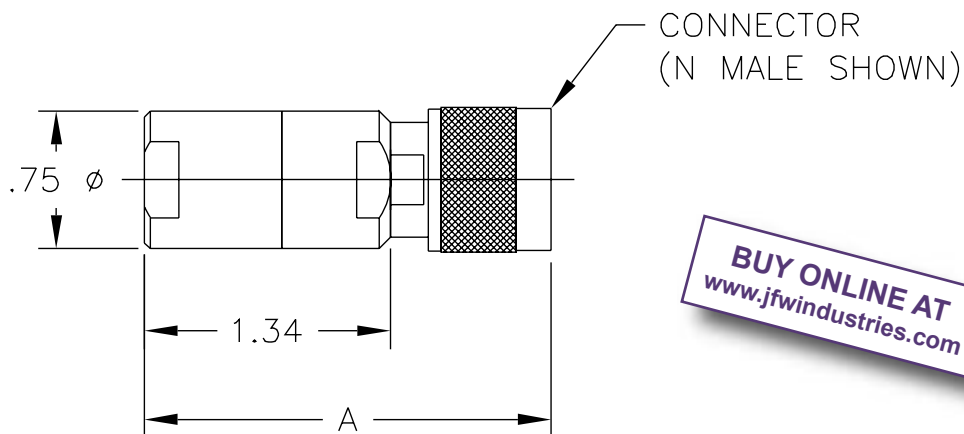


This represents only 10% of our products. For YOUR application, contact JFW at 1-877-887-4JFW or sales@jfwindustries.com

# 5 Watt Terminations and Mismatches

Model	Impedance	Frequency Range	VSWR (maximum)	Input Power	Peak Power	Operating Temperature	RF Connectors
50T-473-XXX*	50 Ohms	DC-1000 MHz	1.10:1 maximum (1.0:1) +/- 5% (all other values)	5 Watts @ +25° C	1000 Watts	-40° C to +85° C	SMA, BNC, TNC, N or reverse polarity TNC (male or female)
50T-474	50 Ohms	DC-2000 MHz	1.10:1	5 Watts @ +25° C	1000 Watts	-40° C to +85° C	SMA, BNC, TNC, N or reverse polarity TNC (male or female)
50T-410	50 Ohms	DC-4000 MHz	1.15:1	5 Watts @ +25° C	1000 Watts	-40° C to +85° C	SMA, BNC, N, TNC or reverse polarity TNC (male or female)

\*Insert VSWR required (1.0, 1.1, 1.2, 1.5, 2.0, 2.5, 3.0, 3.5, 5.0, or 6.0). Other VSWR available upon request.  
 (Termination = 50T-473-1.0)  
 (1.5:1 Mismatch = 50T-473-1.5)  
 (5.0:1 Mismatch = 50T-473-5.0)



**BUY ONLINE AT**  
[www.jfwindustries.com](http://www.jfwindustries.com)

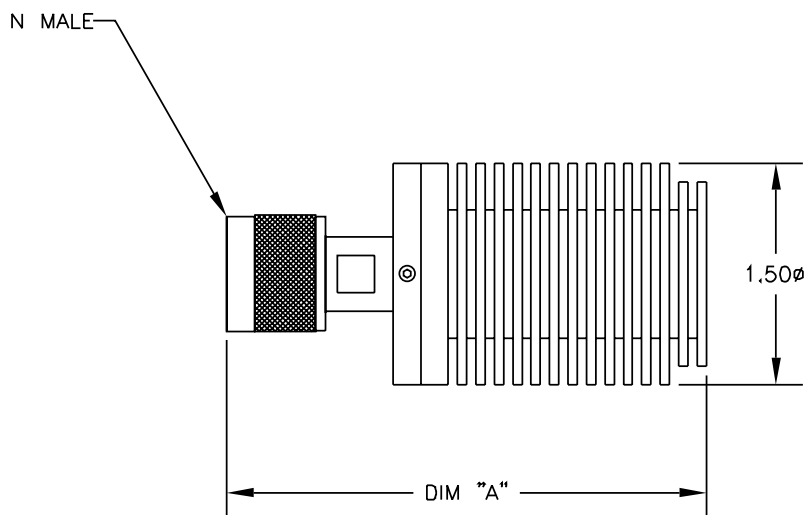
CONNECTOR	SMA M.	SMA F.	BNC M.	BNC F.	TNC M.	TNC F.	N M.	N F.
DIM: A	1.82	1.78	2.06	1.86	2.06	1.86	2.22	1.99

This represents only 10% of our products. For YOUR application, contact JFW at 1-877-887-4JFW or sales@jfwindustries.com

# 30 Watt Terminations

**High  
Peak  
Power**

Model	Impedance	Frequency Range	VSWR (maximum)	Input Power	Peak Power	Operating Temperature	RF Connectors
50T-054	50 Ohms	DC-1200 MHz	1.06:1 DC-250 MHz 1.1:1 250-500 MHz 1.2:1 500-1200 MHz	30 Watts @ +25° C	3000 Watts	-55° C to +85° C	N male
50T-055	50 Ohms	DC-1200 MHz	1.06:1 DC-250 MHz 1.1:1 250-500 MHz 1.2:1 500-1200 MHz	30 Watts @ +25° C	3000 Watts	-55° C to +85° C	N female
50T-056	50 Ohms	DC-1200 MHz	1.06:1 DC-250 MHz 1.1:1 250-500 MHz 1.2:1 500-1200 MHz	30 Watts @ +25° C	3000 Watts	-55° C to +85° C	BNC male
50T-057	50 Ohms	DC-1200 MHz	1.06:1 DC-250 MHz 1.1:1 250-500 MHz 1.2:1 500-1200 MHz	30 Watts @ +25° C	3000 Watts	-55° C to +85° C	BNC female
50T-058	50 Ohms	DC-1200 MHz	1.06:1 DC-250 MHz 1.1:1 250-500 MHz 1.2:1 500-1200 MHz	30 Watts @ +25° C	3000 Watts	-55° C to +85° C	TNC male
50T-059	50 Ohms	DC-1200 MHz	1.06:1 DC-250 MHz 1.1:1 250-500 MHz 1.2:1 500-1200 MHz	30 Watts @ +25° C	3000 Watts	-55° C to +85° C	TNC female
50T-116	50 Ohms	DC-3500 MHz	1.1:1 DC-500 MHz 1.2:1 500-2000 MHz 1.3:1 2000-3500 MHz	30 Watts @ +25° C	3000 Watts	-55° C to +85° C	N male or female



**BUY ONLINE AT**  
[www.jfwindustries.com](http://www.jfwindustries.com)

MODEL #	DIM A
50T-054 N M	3.25
50T-055 N FE	3.20
50T-056 BNC M	2.87
50T-057 BNC FE	2.95
50T-058 TNC M	2.89
50T-059 TNC FE	2.95
50T-116 N FE	3.20
50T-116 N M	3.25

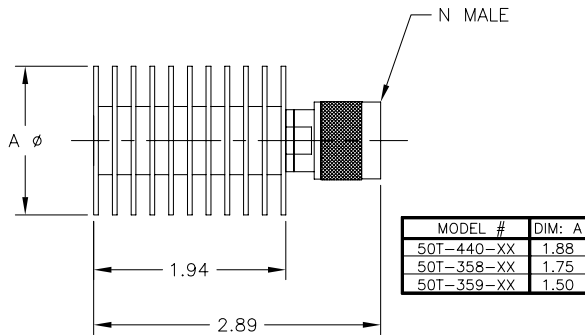
This represents only 10% of our products. For YOUR application, contact JFW at 1-877-887-4JFW or sales@jfwindustries.com

# 10-50 Watt Terminations and Mismatches

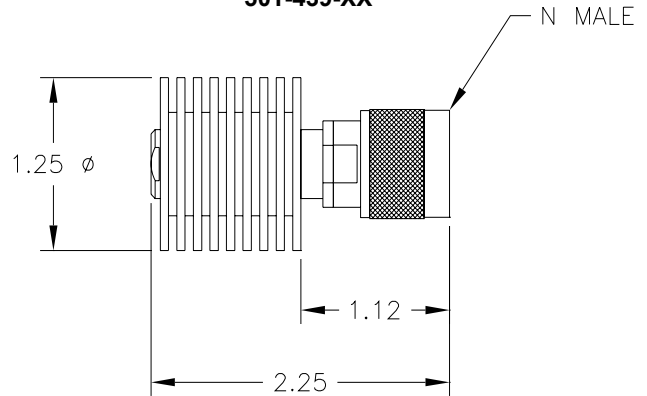
Model	Impedance	Frequency Range	VSWR	Input Power (average)**	Peak Power	Operating Temperature	RF Connectors
50T-439-XXX*	Referenced to 50 Ohms	DC-3 GHz	1.15:1 maximum (1.0:1) +/- 10% (all other values)	10 Watts @ +25° C	1000 Watts	-55° C to +100° C	N, TNC, BNC SMA or 7/16 male or female
50T-359-XXX*	Referenced to 50 Ohms	DC-3 GHz	1.15:1 maximum (1.0:1) +/- 10% (all other values)	15 Watts @ +25° C	1000 Watts	-55° C to +100° C	N, TNC, BNC SMA or 7/16 male or female
50T-358-XXX*	Referenced to 50 Ohms	DC-3 GHz	1.15:1 maximum (1.0:1) +/- 10% (all other values)	20 Watts @ +25° C	1000 Watts	-55° C to +100° C	N, TNC, BNC SMA or 7/16 male or female
50T-440-XXX*	Referenced to 50 Ohms	DC-3 GHz	1.15:1 maximum (1.0:1) +/- 10% (all other values)	25 Watts @ +25° C	1000 Watts	-55° C to +100° C	N, TNC, BNC SMA or 7/16 male or female
50T-507-XXX*	Referenced to 50 Ohms	DC-3 GHz	1.15:1 maximum (1.0:1) +/- 10% (all other values)	40 Watts @ +25° C	1000 Watts	-55° C to +100° C	N, TNC, BNC SMA or 7/16 male or female
50T-506-XXX*	Referenced to 50 Ohms	DC-3 GHz	1.15:1 maximum (1.0:1) +/- 10% (all other values)	50 Watts @ +25° C	1000 Watts	-55° C to +100° C	N, TNC, BNC SMA or 7/16 male or female

\*Insert VSWR required (1.0:1 through 5.0:1 in any 0.1 increment). Other VSWR available upon request.  
 (Termination = 50T-334-1.0)  
 (1.5:1 Mismatch = 50T-334-1.5)  
 (5.0:1 Mismatch = 50T-334-5.0)

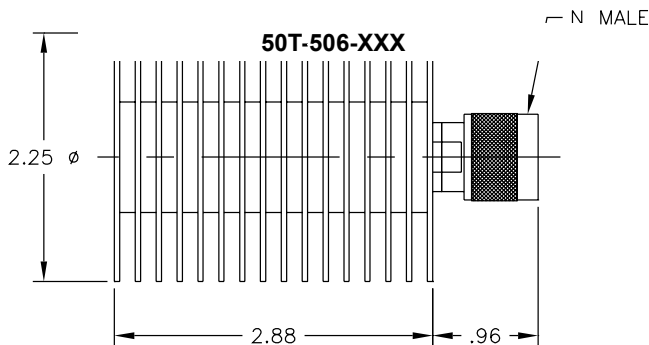
50T-358 / 50T-359 / 50T-440



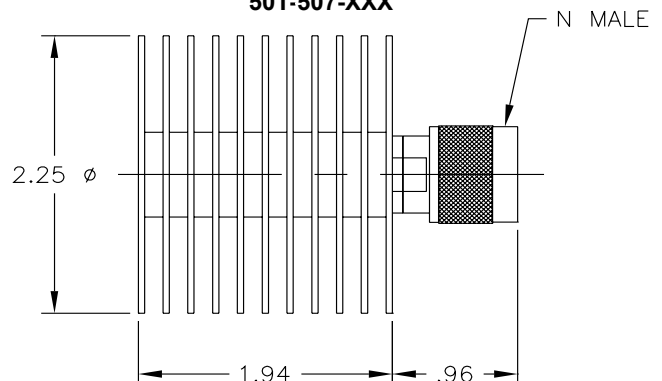
50T-439-XX



50T-506-XXX



50T-507-XXX

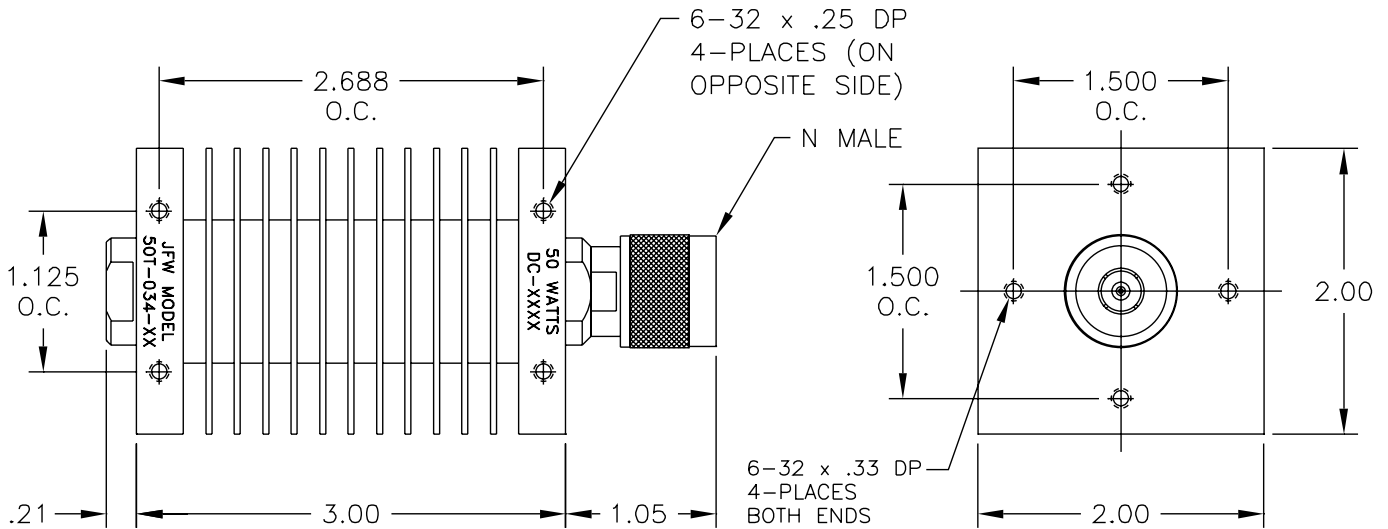


This represents only 10% of our products. For YOUR application, contact JFW at 1-877-887-4JFW or sales@jfwindustries.com

# 50 Watt Terminations and Mismatches

Model	Impedance	Frequency Range	VSWR (maximum)	Input Power	Peak Power	Operating Temperature	RF Connectors
50T-034-XXX*	Referenced to 50 Ohms	DC-1000 MHz	+/- 5% (all values)	50 Watts average @ +25° C	500 Watts	-55° C to +100° C	BNC, N, TNC, SMA or 7/16 male or female

\*Insert VSWR required (1.0:1, 1.1:1, 1.2:1, 1.5:1, 2.0:1, 2.5:1, 3.0:1, 3.5:1, 4.0:1, 4.5:1, 5.0:1 and 8.0:1). Other VSWR available upon request.  
 (Termination = 50T-034-1.0)  
 (1.5:1 Mismatch = 50T-034-1.5)  
 (5.0:1 Mismatch = 50T-034-5.0)

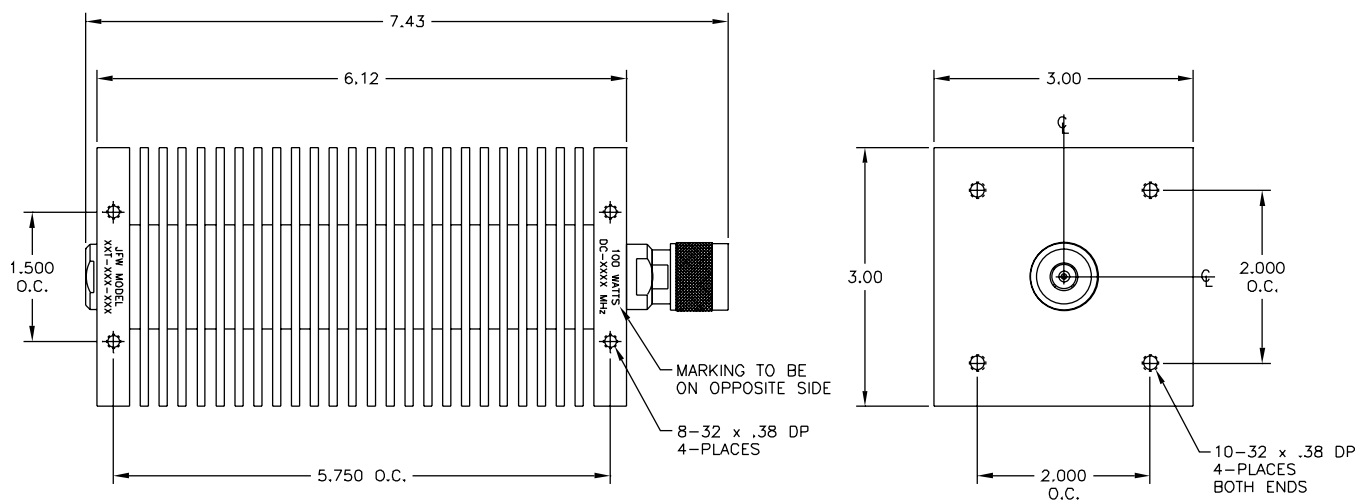


This represents only 10% of our products. For YOUR application, contact JFW at 1-877-887-4JFW or sales@jfwindustries.com

# 100 Watt Terminations and Mismatches

Model	Impedance	Frequency Range	VSWR (maximum)	Input Power	Peak Power	Operating Temperature	RF Connectors
50T-032-XXX*	Referenced to 50 Ohms	DC-1000 MHz	1.10:1 (1.0:1) +/- 5% (all other values)	100 Watts average @ +25° C derate to 50 Watts @ +100° C	500 Watts	-55° C to +100° C	BNC, N, TNC, SMA or 7/16 (male or female)
50T-242	50 Ohms	DC-2000 MHz	1.1:1	100 Watts average @ +25° C derate to 50 Watts @ +100° C	500 Watts	-55° C to +100° C	BNC, N or 7/16 (male or female)
50T-243	50 Ohms	DC-3000 MHz	1.2:1	100 Watts average @ +25° C derate to 50 Watts @ +100° C	500 Watts	-55° C to +100° C	N or 7/16 (male or female)

\*Insert VSWR required (1.0:1, 1.1:1, 1.2:1, 1.5:1, 2.5:1, 3.0:1, 3.5:1, 5.0:1 or 6.0:1). Other VSWR available upon request.  
 (Termination = 50T-032-1.0)  
 (1.5:1 Mismatch = 50T-032-1.5)  
 (5.0:1 Mismatch = 50T-032-5.0)



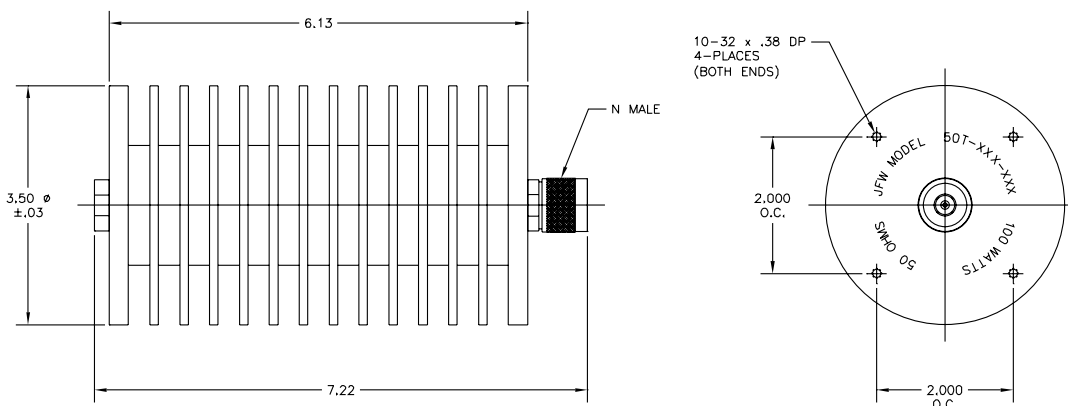
This represents only 10% of our products. For YOUR application, contact JFW at 1-877-887-4JFW or sales@jfwindustries.com

# 100 & 150 Watt Terminations

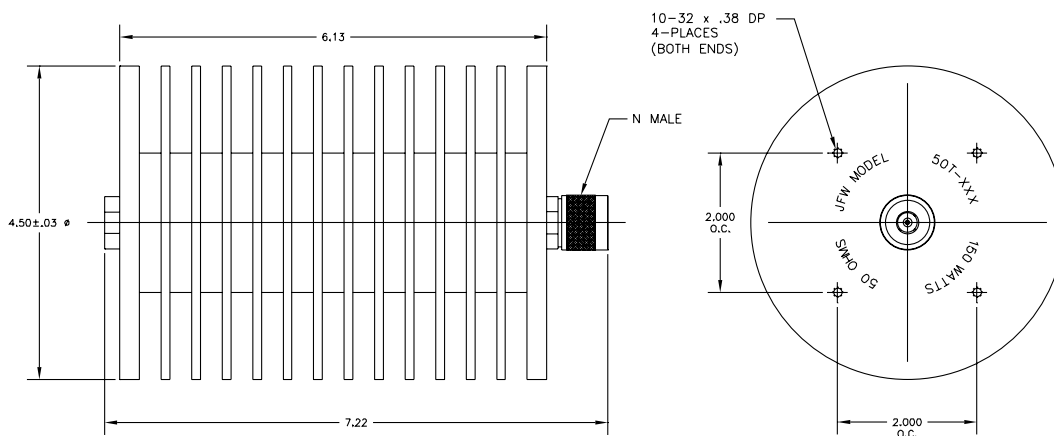
Model	Impedance	Frequency Range	VSWR (maximum)	RF Input Power	RF Connectors
50T-303-XXX*	Referenced to 50 Ohms	DC-3000 MHz (1.0:1) DC-2500 MHz (1.1:1 thru 1.2:1) DC-2000 MHz (1.3:1 thru 3.0:1) DC-1000 MHz (3.1:1 thru 10.0:1)	1.15:1 (1.0:1) +/- 5% DC-1000 MHz +/- 10% 1000-2500 MHz (all other values)	100 Watts average @ +25° C Derate to 50 Watts @ +100° C	N, 7/16 or BNC (male or female)
50T-350	50 Ohms	DC-3000 MHz	1.15:1	150 Watts average @ +25° C Derate to 50 Watts @ +100° C	N or 7/16 (male or female)
50T-390	50 Ohms	DC-6000 MHz	1.2:1 DC-3000 MHz 1.35:1 3000-6000 MHz	100 Watts average @ +25° C Derate to 50 Watts @ +100° C	N or 7/16 (male or female)

\*Insert VSWR required (1.0:1, 1.2:1, 1.3:1, 1.4:1, 1.5:1, 1.6:1, 1.7:1, 1.8:1, 1.9:1, 2.0:1, 2.5:1, 3.0:1, 4.0:1, 5.0:1, 10.0:1).  
Other VSWR available upon request.  
(Termination = 50T-303-1.0)  
(1.5:1 Mismatch = 50T-303-1.5)  
(5.0:1 Mismatch = 50T-303-5.0)

## 50T-303-XXX / 50T-390



## 50T-350



This represents only 10% of our products. For YOUR application, contact JFW at 1-877-887-4JFW or sales@jfwindustries.com

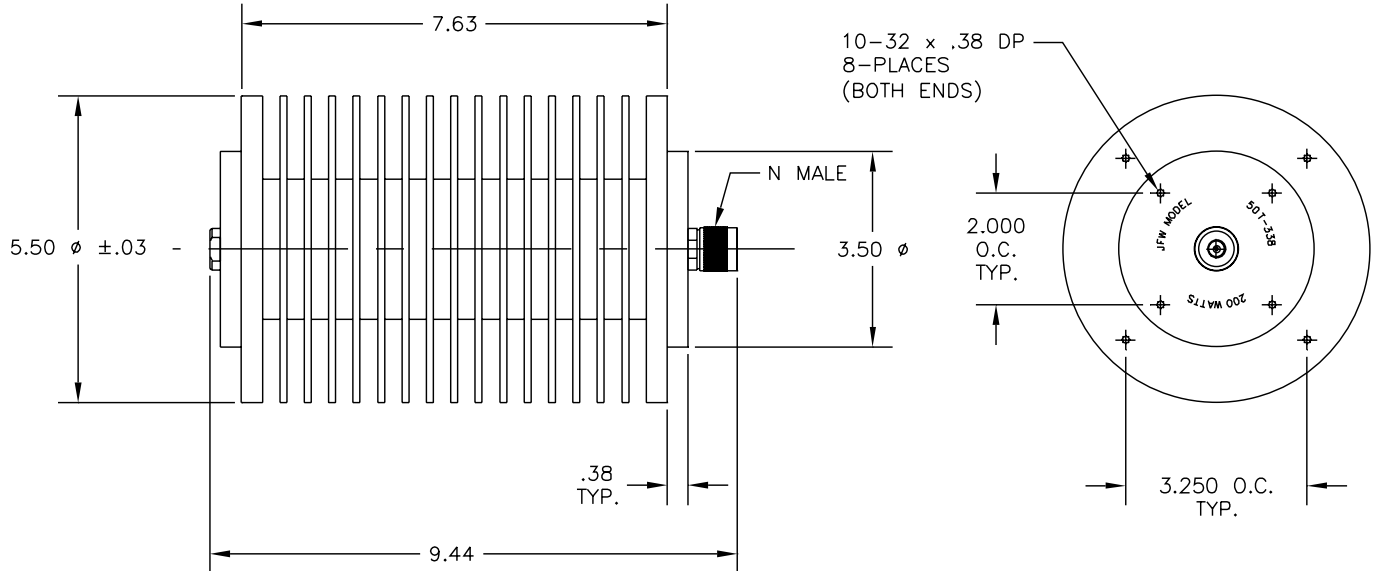


# 200 Watt Termination

Model	Impedance	Frequency Range	VSWR (maximum)	Input Power
50T-338-XXX*	50 Ohms	DC-3000 MHz (1.0:1) DC-2500 MHz (1.1:1 thru 1.2:1) DC-2000 MHz (1.3:1 thru 3.0:1) DC-1000 MHz (3.1:1 thru 10.0:1)	1.15:1 (1.0:1) +/- 5% DC-1000 MHz +/- 10% 1000-2500 MHz (all other values)	200 Watts average @ +25° C Derate to 50 Watts average @ +70° C

Peak Power	Operating Temperature	RF Connectors
1000 Watts (1 microsecond pulse)	-55° C to +100° C	N or 7/16

\*Insert VSWR required (1.0:1, 1.2:1, 1.3:1, 1.4:1, 1.5:1, 1.6:1, 1.7:1, 1.8:1, 1.9:1, 2.0:1, 2.5:1, 3.0:1, 5.0:1, 10.0:1).  
Other VSWR available upon request.  
(Termination = 50T-338-1.0)  
(1.5:1 Mismatch = 50T-338-1.5)  
(5.0:1 Mismatch = 50T-338-5.0)



This represents only 10% of our products. For YOUR application, contact JFW at 1-877-887-4JFW or sales@jfwindustries.com

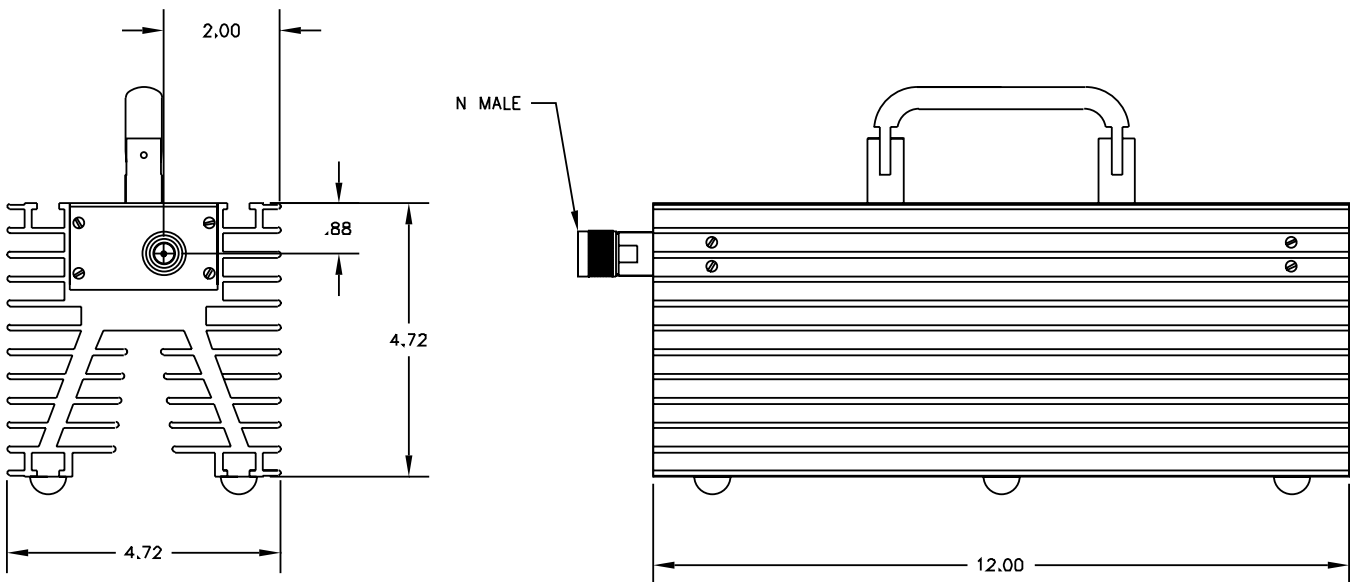
# 200 Watt Terminations and Mismatches

**High  
Peak  
Power**

Model	Impedance	Frequency Range	VSWR Tolerance	Input Power
50T-133-XXX*	Referenced to 50 Ohms	DC-1000 MHz (1.0:1 thru 1.5:1) DC-100 MHz (above 1.5:1)	1.1:1 maximum (1.0:1) +/- 5% (all other values)	200 Watts average @ +25° C Derate to 100 Watts @ +100° C

Peak Power	Operating Temperature	RF Connectors
2500 Watts (100 microseconds, 8% duty cycle)	-55° C to +100° C	BNC, N, TNC or 7/16 (male or female)

\*Insert VSWR required (1.0:1, 1.1:1, 1.2:1, 1.5:1 or 2.0:1). Other VSWR available upon request.  
 (Termination = 50T-133-1.0)  
 (1.5:1 Mismatch = 50T-133-1.5)  
 (5.0:1 Mismatch = 50T-133-5.0)



This represents only 10% of our products. For YOUR application, contact JFW at 1-877-887-4JFW or sales@jfwindustries.com

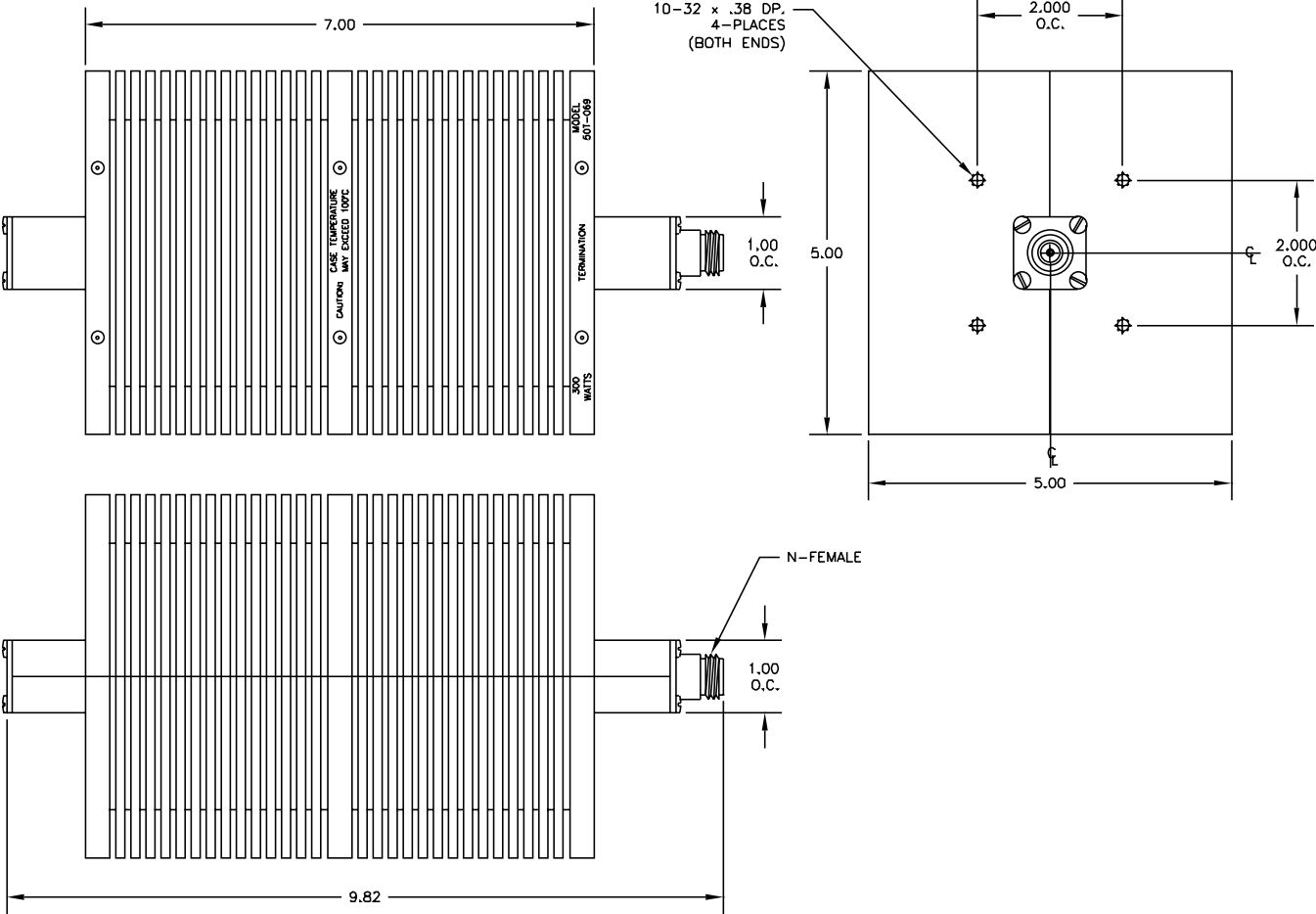
**High  
Peak  
Power**

# 300 Watt Terminations and Mismatches

Model	Impedance	Frequency Range	VSWR	Input Power
50T-069-XXX*	Referenced to 50 Ohms	DC-1000 MHz (1.0:1 thru 1.5:1) DC-500 MHz (1.6:1 thru 5.0:1)	1.10:1 maximum (1.0:1) +/- 5% (1.1:1 thru 1.5:1) +/- 8% (1.6:1 thru 5.0:1)	300 Watts average @ +25° C Derate to 150 Watts @ +100° C

Peak Power	Operating Temperature	RF Connectors
2500 Watts	-55° C to +100° C	BNC, N or TNC or 7/16 male or female

\*Insert VSWR required (1.0:1 thru 5.0:1). Other VSWR available upon request.  
 (Termination = 50T-069-1.0)  
 (1.5:1 Mismatch = 50T-069-1.5)  
 (5.0:1 Mismatch = 50T-069-5.0)

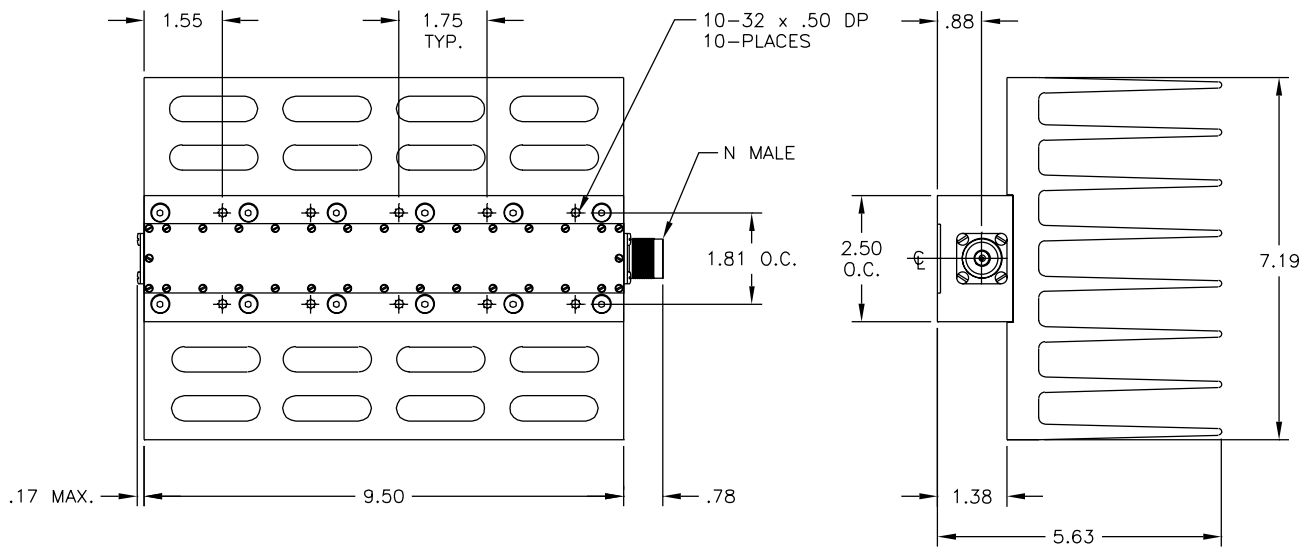


This represents only 10% of our products. For YOUR application, contact JFW at 1-877-887-4JFW or sales@jfwindustries.com

# 500 Watt Terminations

Model	Frequency Range	VSWR (maximum)	Input Power	RF Connectors
50T-420	DC-1000 MHz	1.15:1	500 Watts average @ +25° C Derate to 50 Watts @ +100° C	N or TNC male or female
50T-421	DC-3000 MHz	1.15:1 DC-1000 MHz 1.25:1 1000-3000 MHz	500 Watts average @ +25° C Derate to 50 Watts @ +100° C	N or TNC male or female

Common Specifications		
Impedance	Peak Power	Operating Temperature
50 Ohms	2000 Watts (10 millisecond pulse, 25% duty cycle)	-55° C to +100° C

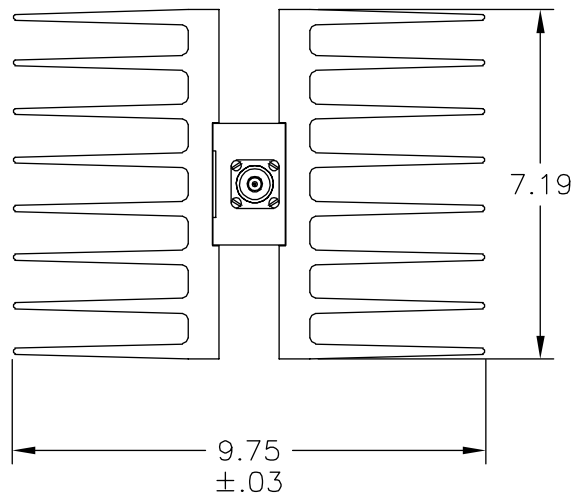
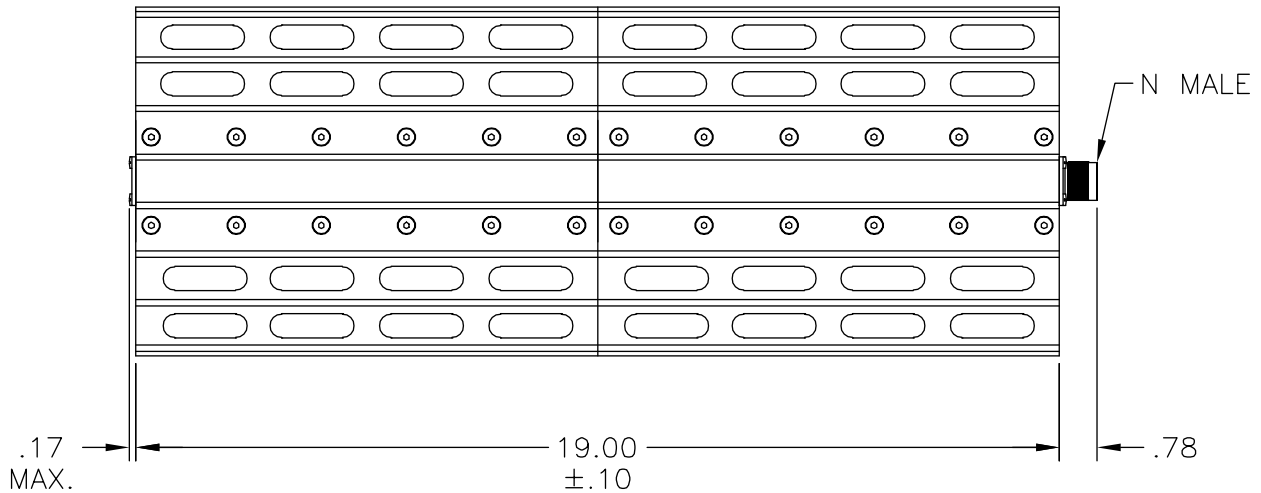


This represents only 10% of our products. For YOUR application, contact JFW at 1-877-887-4JFW or sales@jfwindustries.com

# 1000 Watt Terminations

Model	Frequency Range	VSWR (maximum)	Input Power
50T-495	DC-2500 MHz	1.15:1 DC-1000 MHz 1.25:1 1000-2500 MHz	1000 Watts average @ +25° C Derated linearly to 100 Watts @ +100° C
50T-513	DC-300 MHz	1.15:1	1000 Watts average @ +25° C Derated linearly to 100 Watts @ +100° C
50T-521	DC-1000 MHz	1.20:1	1000 Watts average @ +25° C Derated linearly to 100 Watts @ +100° C

Common Specifications			
Impedance	Peak Power	Operating Temperature	RF Connectors
50 Ohms	4000 Watts	-55° C to +100° C	N or 7/16



This represents only 10% of our products. For YOUR application, contact JFW at 1-877-887-4JFW or sales@jfwindustries.com