

SPECIFICATION SHEET

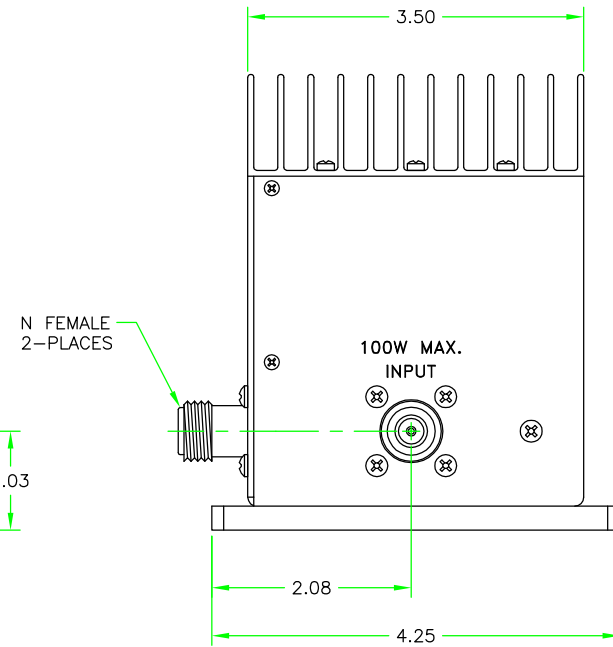
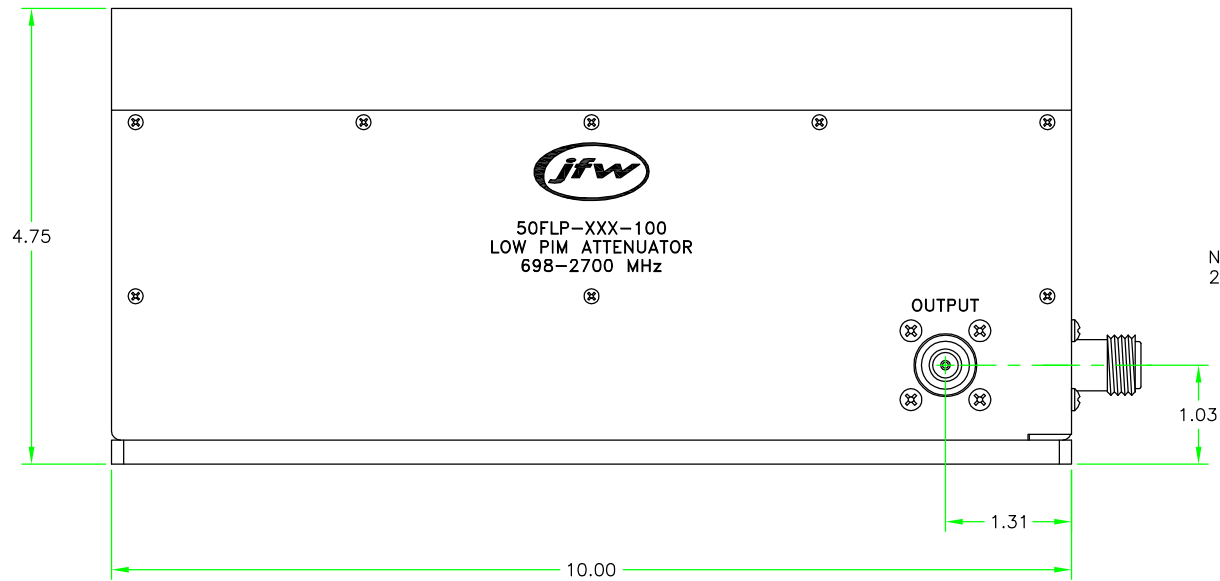
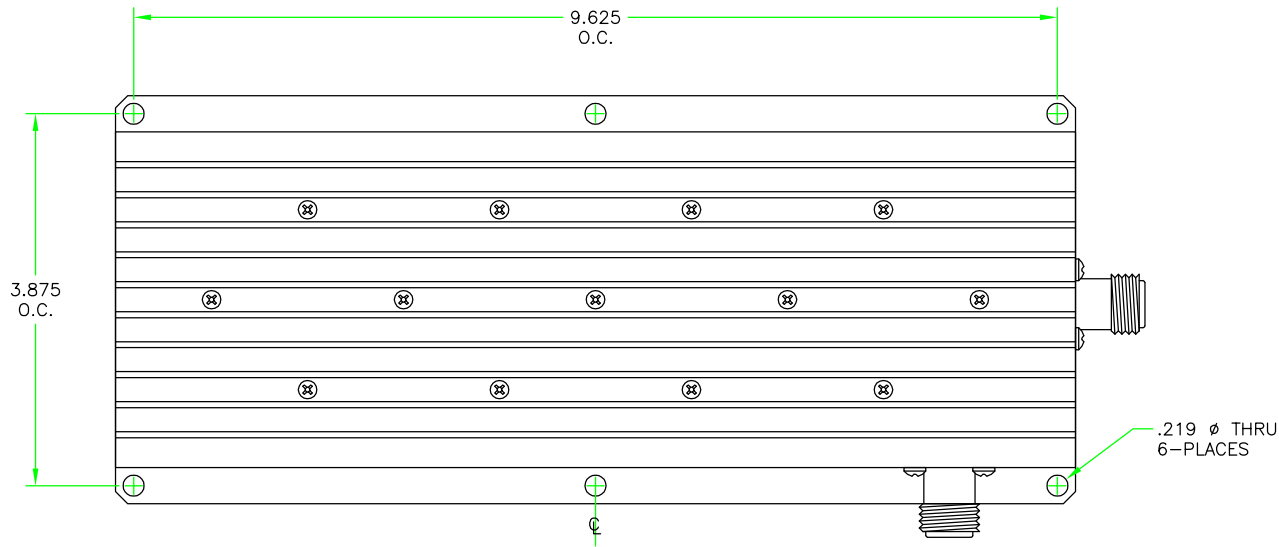
JFW MODEL 50FLP-XXX-100

UNI-DIRECTIONAL FIXED ATTENUATOR

JFW Industries, Inc.
Phone: 317-887-1340
sales@jfwindustries.com
www.jfwindustries.com

Frequency Range	698-2700 MHz
Impedance	50 Ohms nominal
Attenuation Values	5, 6, 10, 20 and 30 dB only
VSWR	1.4:1 maximum < 1.3:1 typical
Attenuation Accuracy	± 0.75 dB maximum ± 0.5 dB typical
3rd Order Intercept Point	-165 dBc typical -155 dBc maximum (Measured with two +43 dBm tones at 1930 and 1950 MHz)
RF Input Power	100 Watts average @ +25°C Derate to 40 Watts @ +85°C
Peak Power	1000 Watts (1 microsecond pulse)
RF Connector	N female (Tri-M3 plated)
Operating Temperature Range	-55° C to +100° C
Weight	8.5 lbs typical
Physical Size	See outline drawing 092-7886

ECR/ECN #	DATE	REV	APPR / DATE	ECR/ECN #	DATE	REV	APPR / DATE
	02/24/2014		CLK 02/24/2014				
23822	03/04/2014	A	CLK 03/04/2014				



REV	ECN	DATE	BY	APPR
-	ISSUED	11-22-13	BZ	TEZ
A	23783	2-24-14	JZ	



JFW INDUSTRIES, INC.
www.jfwindustries.com PH: 317-887-1340

MATERIAL	ALUMINUM ALLOY	PROPRIETARY INFORMATION
FINISH	BLACK ANODIZED / BLACK PAINT	ALL SURFACES ARE TO BE FREE OF BURRS, PITS, & SCRATCHES
MODEL	50FLP-XXX-100	SCALE FULL
DESCRIPTION	LOW PIM ATTENUATOR	TOLERANCES XX±.010 XXX±.005 Y0±.5'
		DWG # 092-7886